



HA370B-GEN2-PS12-3.0



HA370B-GEN2-PS12-3.0

Specification

Application: Urban roads and street , Squares areas, Pedestrian areas, Residential areas,Parks,Garden

Installing High: 3-5m

Mounting : Hang or Side entry, suitable for dia 42mmx50mm tube

Lamps: HID (HPS MH)/ LED bulb / CFL lamps, 20W-70W

70W HPS high pressure sodium, cap: E27/E26/E40/E39

70W MH metal halide, cap: E27/E26/E40/E39

23W/35w Compact fluorescent, cap: E27/E26

20W/30W Led bulb, cap: E27/E26/E40/E39

Material: FRP, fiber glass bodyy

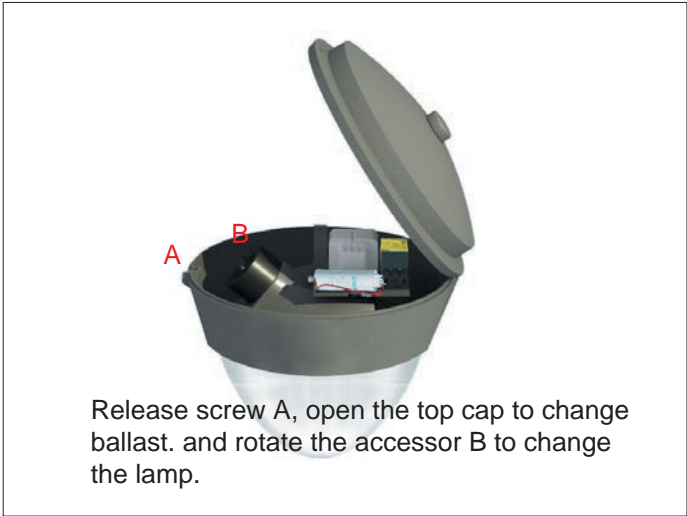
Lighting body: Fiberglass-reinforced plastics,excellent mechanical strength and bear the causticity

Globe : High efficiency acrylic refractor

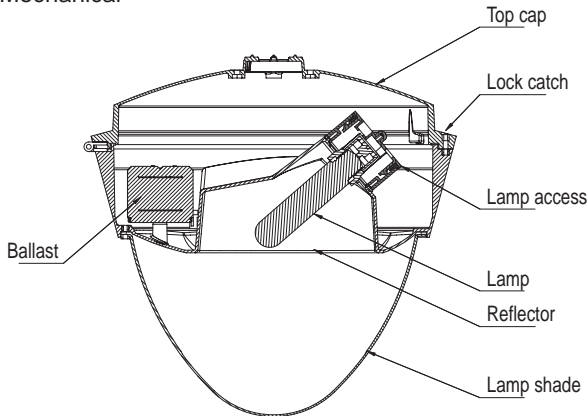
Color: Standard colors is black (BK) ,dark grey(RAL7016), light grey(RAL7042), other colors are available

Standards:

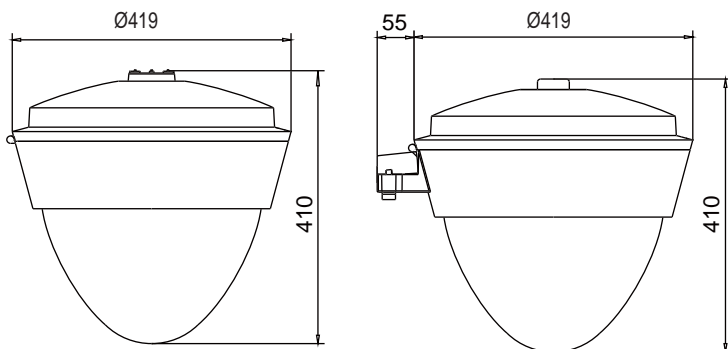
Isolation degree Class I, IP Rating(optical) IP65



Mechanical



Dimensions

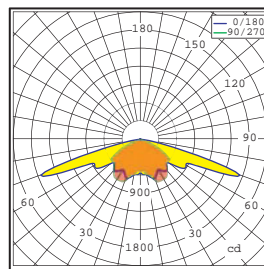


HA370A

HA370B

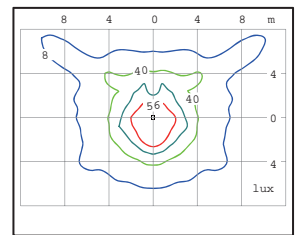
Photometrics

Photometric curve



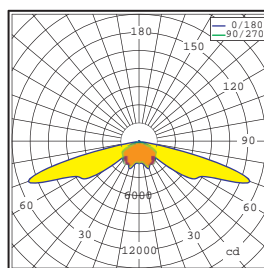
Lamp:70W HPS 6000Lm

Isolux curve



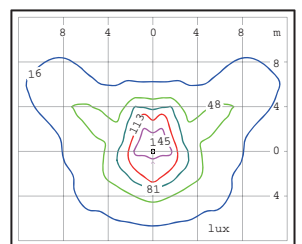
Mouthing Height:4m

Photometric curve



Lamp:100W HPS 15000Lm

Isolux curve



Mouthing Height:4m



HA370B.01



HA370B.01

HA370A.01



HA370A-GEM1-PS12-3.0

Ordering Information

Order No.	Lamp Wattage	Lamp Socket	Install Height(m)	Gross / Net Weight(kg)	Dimension L*W*H(cm)	Packing size(cm)	QTY 20'/40'GP
HA370A	MAX 70W	E27	3m-5m	5 / 4	42x42X41	45x45x44	325/650
HA370B	MAX 70W	E27	3m-5m	5 / 4	47x42X41	45x45x44	325/650

Poles Config

