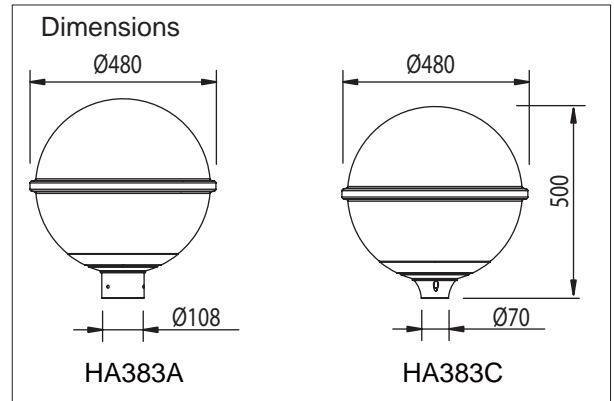


Garden Post top lighting

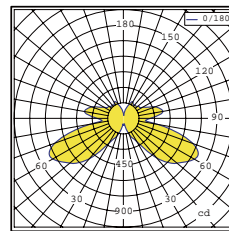
Xida HA383A





Photometrics

Photometric curve



Lamp:50W LED 5000Lm

Specification

Application: Urban roads and street , Squares areas, Pedestrian areas, Residential areas,Parks

Installing Hight: 3-5m

Mounting : Post-top: suitable for Ø76mmx60mm/HA376A
Ø60mmx60mm/HA376C

Lamps: HID (HPS MH)/ LED bulb / CFL lamps, 30W-150W
70W/150W HPS high pressure sodium, cap: E27/E26/
E40/E39

70W/150W MH metal halide, cap: E27/E26/E40/E39

30W/40w/50W Led bulb, cap: E27/E26/E40/E39

35W/45W/65W Compact fluorescent, cap: E27/E26

Input Voltage: 90-270VAC,50-60HZ

Material: Aluminium body

Housing: Die cast aluminium, Powder coating

Globe : High efficiency acrylic refractor

Color: Standard color are Black,Dark grey RAL7016 or

Light grey RAL 7042 ,other colors are available

Standards:

Isolation degree Class I, IP Rating IP65

