



HC2042

Feature Very High quality for upmarket
 Heavy-duty, die-cast FRP housing, 10 years service life
 High efficiency acrylic refractor, saved 30% lighting

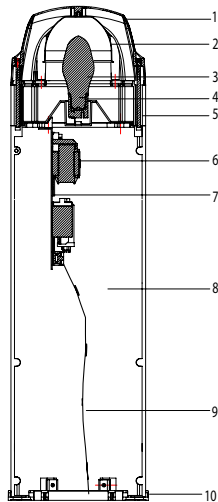




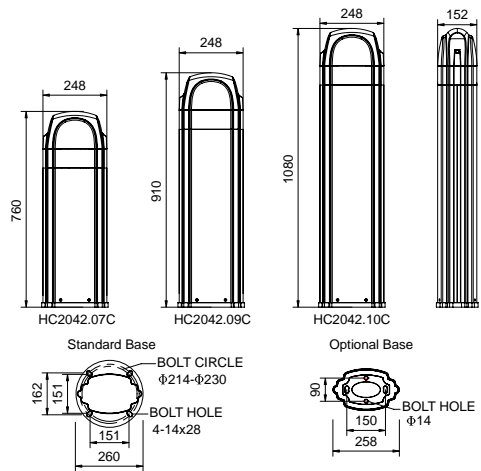
Specifications

Application: Parks,Gardens,Squares areas,Plazas,Residential areas,Walkways,Pathway,Driveway,Entrance
Mounting:Base mounts onto foundation with four (4) 12mm x 250mm anchor bolts
Voltage: 220-240V/50Hz,110-130V/60Hz
Lamp: Max 70W high pressure sodium(HPS) or metal halide(MH),or Max 23W compact fluorescent(CFL). or 3W /5W/7W/9W LED bulb, Socket: E27/E26
Bollard: Fiberglass-reinforced plastics body,having excellent mechanical strength and bear the causticity.
Optics: High efficiency clear PC/acrylic lens,aluminium reflector
Standard: Comply with IEC598/EN60598, Class I eletrical, IP rating:IP65
Finish: Standard painting colors is black (BK) ,dark bronze (DB), grey(GY),white(WH),standard texture colors is pine wood texture(WP),walnut wood texture(WW),special colors are available.

Mechanical information



- 1.Head: is made of FRP. UL:E240680
- 2.Reflector: aluminium
- 3.Lamp: Max 23W CFL/LED or Max 70W HPS/MH(optional)
- 4.lamp socket:E27/E26,UL:186470
- 5.Lampshade: clear PC/acryl refractor,UL:E161723
- 6.Ballast module (optional)
- 7.Ballast board : Steel (optional)
- 8.Bollard: is made of FRP. UL:E240680
- 9.Wire : UL:E189672
- 10.Base: is made of FRP. UL:E240680



Ordering information

Mark: Weight not include 2kg anchor bolts and template

Order No.	Lamp Wattage	Lamp Socket	Install Height	Gross/ Net Weight	Dimension L*W*H(cm)	Packing size(cm)	QTY(pcs) 20'/40'GP
HC2042.07C	MAX 70W	E27/E26	760mm	5kg /4kg	26x26x76	27x27x79	448 /896
HC2042.09C	MAX 70W	E27/E26	910mm	6kg /5kg	26x26x91	27x27x94	380 /760
HC2042.10C	MAX 70W	E27/E26	1080mm	7kg /6kg	26x26x108	27x27x111	330 /660

Color Code:black (BK) ,dark bronze(DB), grey(GY),white(WH), wood pine texture(WP),wood walnut texture(WW)

Ordering number Model - Color Code
 Sample: HC2042.07C-BK