

**SPECIFICATIONS:**

**Application:** Urban roads and street , Squares areas, Pedestrian areas, Residential areas,Parks,Garden  
Installing Hight: 3m-4m

**PT03X pole**high-tensile carbon steel, Flute tapered shaft from top 90mm, welded together with an 165 mm round straight high-tensile carbon-steel, welded square pole base or round pole base,welding standard is according to AWS D 1.1 /BS EN 1011-1,BS EN 1011-2. the entire shaft assembly is hot dipped galvanised according to ASTMA 123 / EN ISO 1461.

**Hand hole:** 110 by 250mm maintenance opening,complete with cover and ground connector,is centered 420mm from the bottom of the anchor plate.

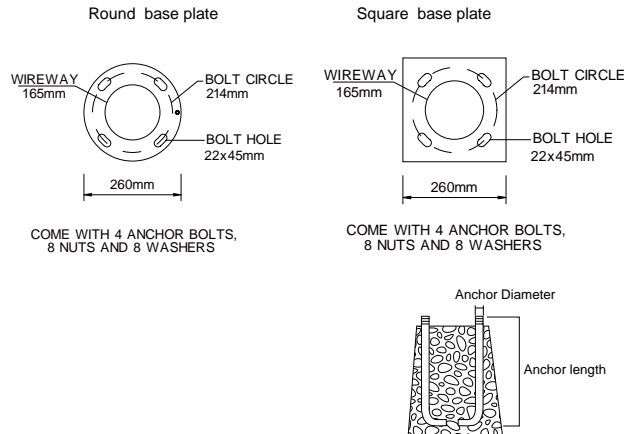
**Pole top tenon:** high-tensile carbon steel tube,round welded to shaft, standard sizes are 76mm O.D. x 90mm long,special size is available.

**Base cover :** is optional,round base cover is made of one pieces of fiber glass reinforced plastics, mechanically assembled together with stainless screws. Square base cover is made of hot dipped galvanised steel.

**Finish:** "Hot Dip" chemical etching preparation. Polyester powder coat textured finish. Standard colors is black (BK), dark grey(GY) (RAL7016),light grey(LG)(RAL7042),silver grey(SG), White(WH), other colors are available,Durable UV-resistant exterior finish as per # ASTM G7 and outstanding salt-spray resistance according to # ASTM D2247 testing procedures.

**Options:**

Service hand hole and base plate can be made to specific sizing  
OEM and ODM is also acceptable



**ORDERING INFORMATION**

Order No.	Install Height meter	D1 Top Diameter (mm)	D2 End Diameter (mm)	Wall Thinkness (mm)	Base Square x THK(mm)	Anchor Circle Diameter (mm)	Anchor Dia& Length (mm)	Hand hole L x W (mm)	Net Weight (kg)	EPA Rating 80MPa Wall 1/ 2 (SQ.FT)
PT03X-3.0	3	90	140	3	260x10	215	16x550	250x110	35	41
PT03X-3.5	3.5	90	150	3	260x10	215	16x550	250x110	39	35
PT03X-4.0	4	90	160	3	260x10	215	16x550	250x110	43	29

Weight without bolts, weight of each bolts is 5kg

Ordering number & sample

Pole Catalog Number - Color Code

PT03X-3.5-BK  
PT03X-4.0-DB