

CROWN SERIES



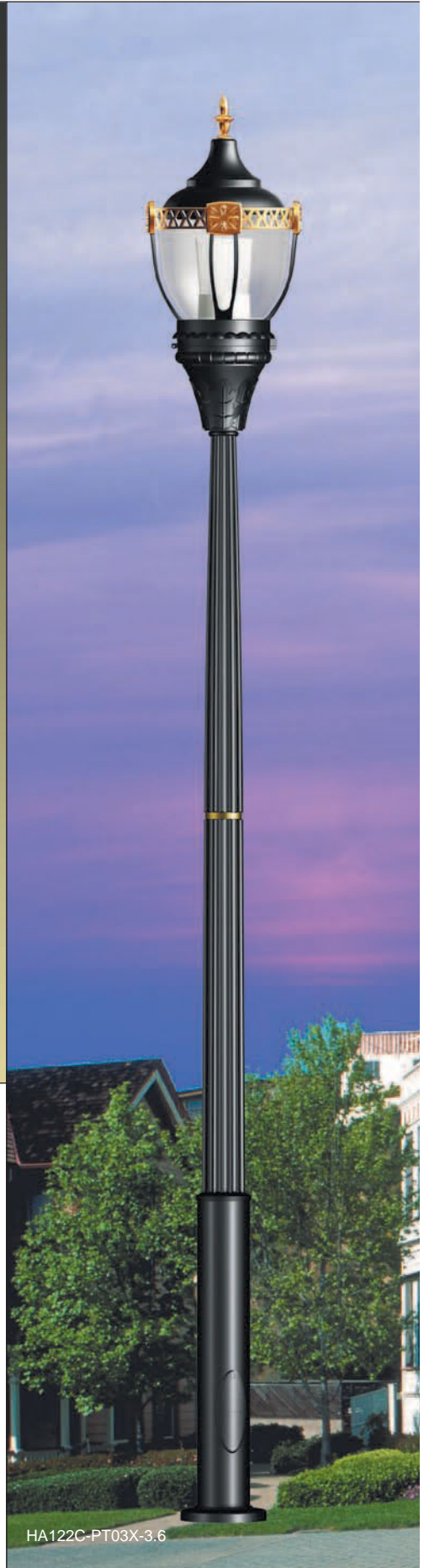


Feature

- Classical type of traditional area lighting
- Very High quality for upmarket
- Heavy-duty, die-cast FRP housing
- High efficiency acrylic refractor
- Tool-less removable power tray assembly for ease of maintenance
- Available with medium- or mogul-base socket
- Base casting slip fits over a standard 3" O.D. tenon



HA122C



HA122C-PT03X-3.6

Feature

- Classical type of traditional area lighting
- Very High quality for upmarket
- Heavy-duty, die-cast FRP housing
- High efficiency acrylic refractor
- Tool-less removable power tray assembly for ease of maintenance
- Available with medium- or mogul-base socket
- Base casting slip fits over a standard 3" O.D. tenon



HA122A

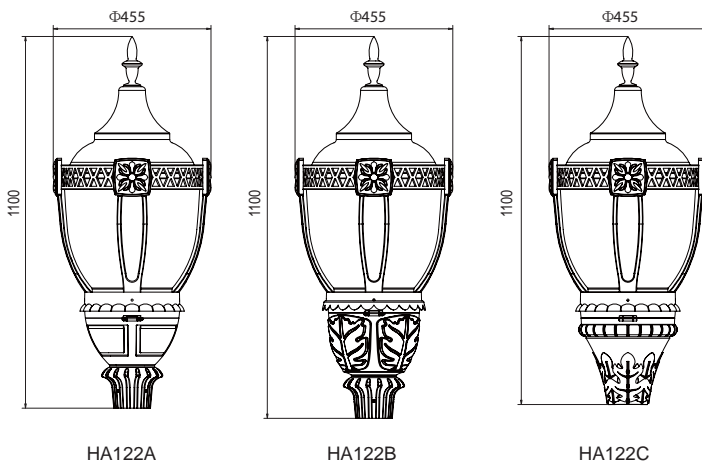


HA122B



HA122C

Dimensions

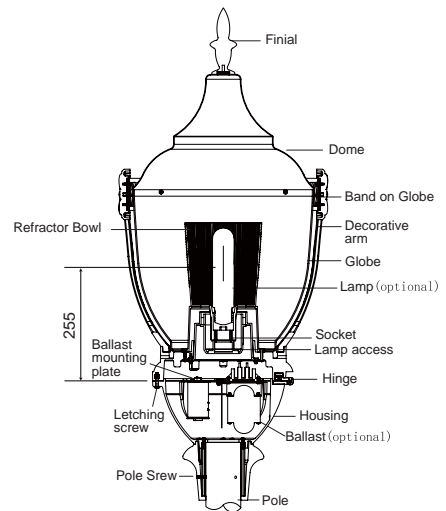


HA122A

HA122B

HA122C

Mechanical



Specification

Application: Urban roads and street , Squares areas, Pedestrian areas, Residential areas,Parks,Garden

Installing Hight: 3-5m

Mounting : Post-top: suitable for Ø76mmx90mm tenon

Lamps: HID (HPS MH)/ LED bulb / CFL lamps, 30W-150W
 70W/150W HPS high pressure sodium, cap: E27/E26/E40/E39
 70W/150W MH metal halide, cap: E27/E26/E40/E39
 35w/45W/65W Compact fluorescent, cap: E27/E26
 30W/40w/50W Led bulb, cap: E27/E26/E40/E39

Material: FRP, fiber glass body

Final: Cast aluminium

Dome: Spun aluminium

Decorative arm , Band & Housing: Fiberglass-reinforced plastics,excellent mechanical strength and bear the causticity

Globe : High efficiency acrylic refractor

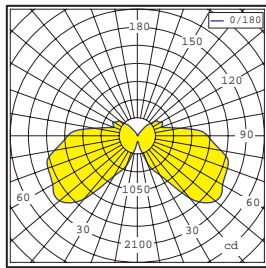
Color: Standard colors is black (BK) ,other colors dark bronze (DB)(RAL7013), dark grey (GY)(RAL7016), light grey(LG)(RAL7042), dark green (DN)(RAL6005) are available

Standards:

Isolation degree Class I, IP Rating(optical) IP65

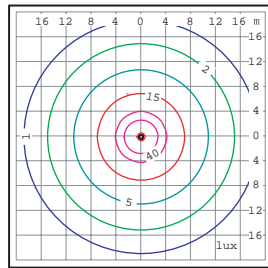
Photometrics

Photometric curve



Lamp:150W HPS 15000Lm

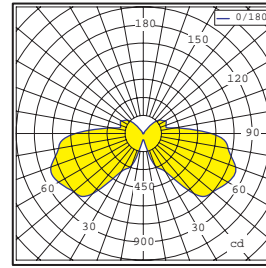
Isolux curve



Mounting Height:4m

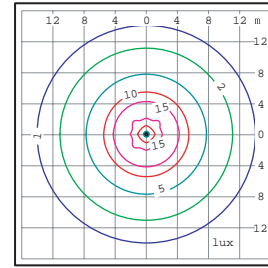
TYPE V

Photometric curve



Lamp:70W HPS 6000Lm

Isolux curve



Mounting Height:4m

TYPE V

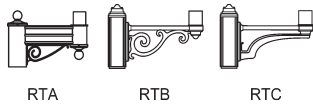
Ordering Guide

Luminaire No. - (Mounting & configuration) - Pole No.

| Order No. | HEIGHT mm | Luminaire Ctn. cm | Total Vol m ³ | G.W./N.W. kg/ctn | QUANTITIES 20'/40' |
|----------------------|--------------|----------------------|-----------------------------|---------------------|-----------------------|
| HA122A | 1100 | 45x45x100/1pcs | 0.21 | 17/13 | 130/260 |
| HA122A-PT01-2.8 | 3900 | 45x45x100/1pcs | 0.37 | 47/43 | 74/150 |
| HA122A-PT02-3.0 | 4100 | 45x45x100/1pcs | 0.37 | 52/48 | 74/150 |
| HA122A-PT03-3.3 | 4400 | 45x45x100/1pcs | 0.35 | 47/43 | 78/158 |
| HA122A-PT03X-3.6 | 4700 | 45x45x100/1pcs | 0.36 | 51/47 | 76/154 |
| HA122A-PT04-3.5 | 4600 | 45x45x100/1pcs | 0.39 | 59/55 | 70/142 |
| HA122A-PT04-4.0 | 5100 | 45x45x100/1pcs | 0.41 | 65/61 | 67/136 |
| HA122A-PS06-3.0 | 4100 | 45x45x100/1pcs | 0.33 | 47/43 | 83/168 |
| HA122A-PS06-3.5 | 4600 | 45x45x100/1pcs | 0.35 | 50/46 | 78/158 |
| HA122A-PS06-4.0 | 5100 | 45x45x100/1pcs | 0.37 | 57/53 | 74/150 |
| HA122A-RTA2-PS06-4.0 | 5300 | 45x45x100/1pcs | 0.60 | 86/78 | 45/92 |
| HA122B | 1100 | 45x45x100/1pcs | 0.21 | 18/14 | 130/260 |
| HA122B-PT01-2.8 | 3900 | 45x45x100/1pcs | 0.37 | 48/44 | 74/150 |
| HA122B-PT02-3.0 | 4100 | 45x45x100/1pcs | 0.37 | 53/49 | 74/150 |
| HA122B-PT03-3.3 | 4400 | 45x45x100/1pcs | 0.35 | 48/44 | 78/158 |
| HA122B-PT03X-3.6 | 4700 | 45x45x100/1pcs | 0.36 | 52/48 | 76/154 |
| HA122B-PT04-3.5 | 4600 | 45x45x100/1pcs | 0.39 | 60/56 | 70/142 |
| HA122B-PT04-4.0 | 5100 | 45x45x100/1pcs | 0.41 | 66/62 | 67/136 |
| HA122B-PS06-3.0 | 4100 | 45x45x100/1pcs | 0.33 | 48/44 | 83/168 |
| HA122B-PS06-3.5 | 4600 | 45x45x100/1pcs | 0.35 | 51/47 | 78/158 |
| HA122B-PS06-4.0 | 5100 | 45x45x100/1pcs | 0.37 | 58/54 | 74/150 |
| HA122B-RTA2-PS06-4.0 | 5300 | 45x45x100/1pcs | 0.60 | 88/80 | 45/92 |
| HA122C | 1100 | 45x45x100/1pcs | 0.21 | 18/14 | 130/260 |
| HA122C-PT01-2.8 | 3900 | 45x45x100/1pcs | 0.37 | 48/44 | 74/150 |
| HA122C-PT02-3.0 | 4100 | 45x45x100/1pcs | 0.37 | 53/4 | 74/150 |
| HA122C-PT03-3.3 | 4400 | 45x45x100/1pcs | 0.35 | 48/44 | 78/158 |
| HA122C-PT03X-3.6 | 4700 | 45x45x100/1pcs | 0.36 | 52/48 | 76/154 |
| HA122C-PT04-3.5 | 4600 | 45x45x100/1pcs | 0.39 | 60/56 | 70/142 |
| HA122C-PT04-4.0 | 5100 | 45x45x100/1pcs | 0.41 | 66/62 | 67/136 |
| HA122C-PS06-3.0 | 4100 | 45x45x100/1pcs | 0.33 | 48/44 | 83/168 |
| HA122C-PS06-3.5 | 4600 | 45x45x100/1pcs | 0.35 | 51/47 | 78/158 |
| HA122C-PS06-4.0 | 5100 | 45x45x100/1pcs | 0.37 | 58/54 | 74/150 |
| HA122C-RTA2-PS06-4.0 | 5300 | 45x45x100/1pcs | 0.60 | 88/80 | 45/92 |

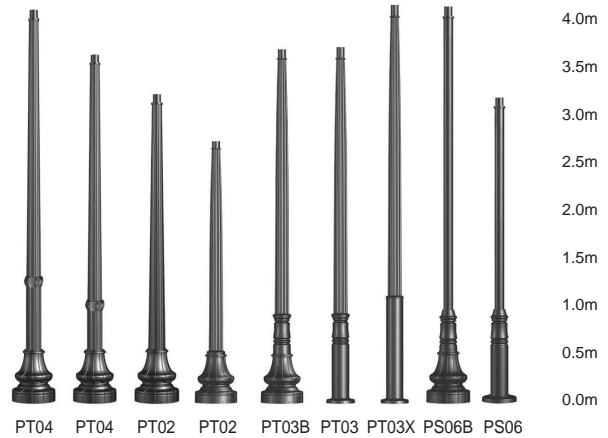
Mountings

(Consult the Pole Guide for detail and the complete line for poles)

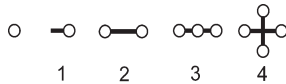


Poles and pole options

(Consult the Pole Guide for detail and the complete line for poles)



Configuration



Ordering information

Sample Number: HA122A-15S1R16-RTA2-PS01-2.8-BK

LAMP SOCKET E27/E26 Suit for 50W/70W/100W HPS or MH, E26 only for UL list
 LAMP SOCKET E40/E39 Suit for 150W/175W HPS or MH,E39 only for UL list

| Liminaire | (Lamp Wattage) | Lamp Type | Lamp & Ballast | Ballast Type | Voltage | Freq. ¹ | (Mounting & Configuration) ¹ | (Pole) ¹ | Finish |
|-----------|----------------|-----------|----------------|-----------------------|---------------------|--------------------|---|---------------------|----------|
| HA122A | 70=70W | M=MH | 1=only | I=Impedance | ² 1=120V | 5=50Hz | | | BK=Black |
| HA122B | 10=100W | | Ballast | M=Leakage | 0=208V | 6=60Hz | | | DB=Dark |
| HA122C | 15=150W | S=HPS | include | magnetic | 2=220V | | | | Bronze |
| | 17=175W | | 2=all | P=HX-HPF ³ | 3=230V | | | | GY=Grey |
| | | | include | W=CWA | 4=240V | | | | DN=Dark |
| | | | | | 7=277V | | | | Green |
| | | | | | 8=480V | | | | |
| | | | | | 9=347V | | | | |

