

ACORN SERIES





HA125B



HA125B-PT01-2.8

Feature

- Classical type of traditional area lighting
- Very High quality for upmarket
- Heavy-duty, die-cast FRP housing
- High efficiency acrylic refractor & PC diffuser
- Tool-less removable power tray assembly for ease of maintenance
- Available with medium- or mogul-base socket
- Base casting slip fits over a standard 3" O.D. tenon



Feature

- Classical type of traditional area lighting
- Very High quality for upmarket
- Heavy-duty, die-cast FRP housing
- High efficiency acrylic refractor & PC diffuser
- Tool-less removable power tray assembly for ease of maintenance
- Available with medium- or mogul-base socket
- Base casting slip fits over a standard 3" O.D. tenon



HA125A

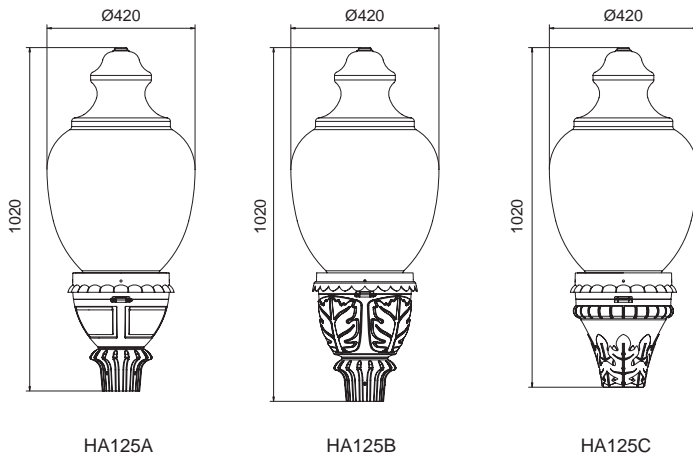


HA125B



HA125C

Dimensions

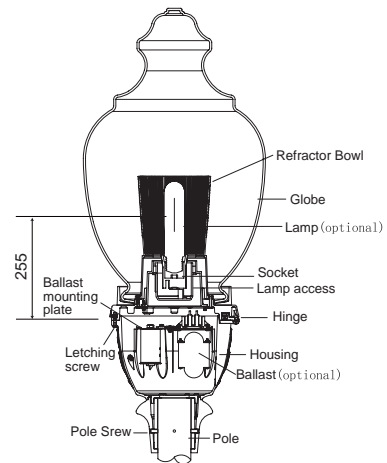


HA125A

HA125B

HA125C

Mechanical



Specification

Application: Urban roads and street , Squares areas, Pedestrian areas, Residential areas,Parks,Garden

Installing Hight: 3-5m

Mounting : Post-top: suitable for Ø76mmx90mm tenon

Lamps: HID (HPS MH)/ LED bulb / CFL lamps, 30W-150W
 70W/150W HPS high pressure sodium, cap: E27/E26/E40/E39
 70W/150W MH metal halide, cap: E27/E26/E40/E39
 35w/45W/65W Compact fluorescent, cap: E27/E26
 30W/40w/50W Led bulb, cap: E27/E26/E40/E39

Material: FRP, fiber glass body

Housing: Fiberglass-reinforced

plastics,excellent mechanical strength and bear the causticity

Globe : High efficiency ploycarbonate ,stippled

Refractor bowl : High efficiency acrylic refractor

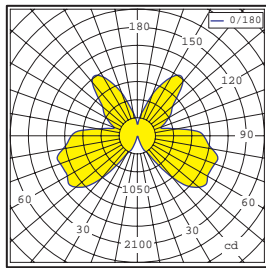
Color: Standard colors is black (BK) ,other colors dark bronze (DB)(RAL7013), dark grey (GY)(RAL7016), light grey(LG)(RAL7042), dark green (DN)(RAL6005) are available

Standards:

Isolation degree Class I, IP Rating(optical) IP65

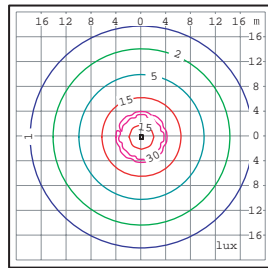
Photometrics

Photometric curve



Lamp:150W HPS 15000Lm

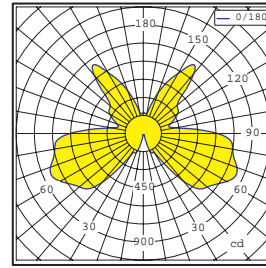
Isolux curve



Mounting Height:4m

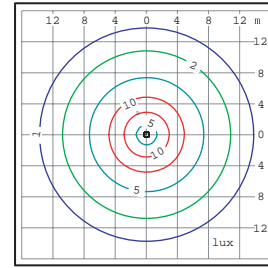
TYPE V

Photometric curve



Lamp:70W HPS 6000Lm

Isolux curve



Mounting Height:4m

TYPE V

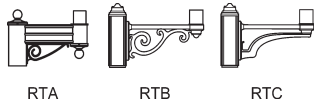
Ordering Guide

Luminaire No. - (Mounting & configuration) - Pole No.

Order No.	HEIGHT mm	Luminaire Ctn. cm	Total Vol m ³	G.W./N.W. kg/ctn	QUANTITIES 20'/40'
HA125A	1020	43x43x105/1pcs	0.20	11/9	140/280
HA125A-PT01-2.8	3800	43x43x105/1pcs	0.36	41/39	78/158
HA125A-PT02-3.0	4000	43x43x105/1pcs	0.36	46/44	78/158
HA125A-PT03-3.3	4300	43x43x105/1pcs	0.34	41/39	82/166
HA125A-PT03X-3.6	4600	43x43x105/1pcs	0.35	45/43	80/162
HA125A-PT04-3.5	4500	43x43x105/1pcs	0.38	53/51	74/150
HA125A-PT04-4.0	5000	43x43x105/1pcs	0.40	59/57	70/140
HA125A-PS06-3.0	4000	43x43x105/1pcs	0.32	41/39	88/178
HA125A-PS06-3.5	4500	43x43x105/1pcs	0.34	44/42	82/166
HA125A-PS06-4.0	5000	43x43x105/1pcs	0.36	51/49	78/158
HA125A-RTA2-PS06-4.0	5200	43x43x105/1pcs	0.59	74/70	47/96
HA125B	1020	43x43x105/1pcs	0.20	12/10	140/280
HA125B-PT01-2.8	3800	43x43x105/1pcs	0.36	42/40	78/158
HA125B-PT02-3.0	4000	43x43x105/1pcs	0.36	47/45	78/158
HA125B-PT03-3.3	4300	43x43x105/1pcs	0.34	42/40	82/166
HA125B-PT03X-3.6	4600	43x43x105/1pcs	0.35	46/44	80/162
HA125B-PT04-3.5	4500	43x43x105/1pcs	0.38	54/52	74/150
HA125B-PT04-4.0	5000	43x43x105/1pcs	0.40	60/58	70/140
HA125B-PS06-3.0	4000	43x43x105/1pcs	0.32	42/40	88/178
HA125B-PS06-3.5	4500	43x43x105/1pcs	0.34	45/43	82/166
HA125B-PS06-4.0	5000	43x43x105/1pcs	0.36	52/50	78/158
HA125B-RTA2-PS06-4.0	5200	43x43x105/1pcs	0.59	76/72	47/96
HA125C	1020	43x43x105/1pcs	0.20	12/10	140/280
HA125C-PT01-2.8	3800	43x43x105/1pcs	0.36	42/40	78/158
HA125C-PT02-3.0	4000	43x43x105/1pcs	0.36	47/45	78/158
HA125C-PT03-3.3	4300	43x43x105/1pcs	0.34	42/40	82/166
HA125C-PT03X-3.6	4600	43x43x105/1pcs	0.35	46/44	80/162
HA125C-PT04-3.5	4500	43x43x105/1pcs	0.38	54/52	74/150
HA125C-PT04-4.0	5000	43x43x105/1pcs	0.40	60/58	70/140
HA125C-PS06-3.0	4000	43x43x105/1pcs	0.32	42/40	88/178
HA125C-PS06-3.5	4500	43x43x105/1pcs	0.34	45/43	82/166
HA125C-PS06-4.0	5000	43x43x105/1pcs	0.36	52/50	78/158
HA125C-RTA2-PS06-4.0	5200	43x43x105/1pcs	0.59	76/72	47/96

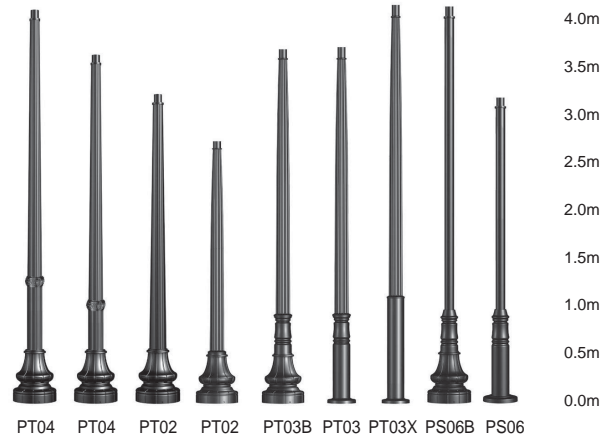
Mountings

(Consult the Pole Guide for detail and the complete line for poles)

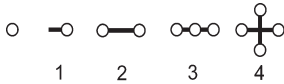


Poles and pole options

(Consult the Pole Guide for detail and the complete line for poles)



Configuration



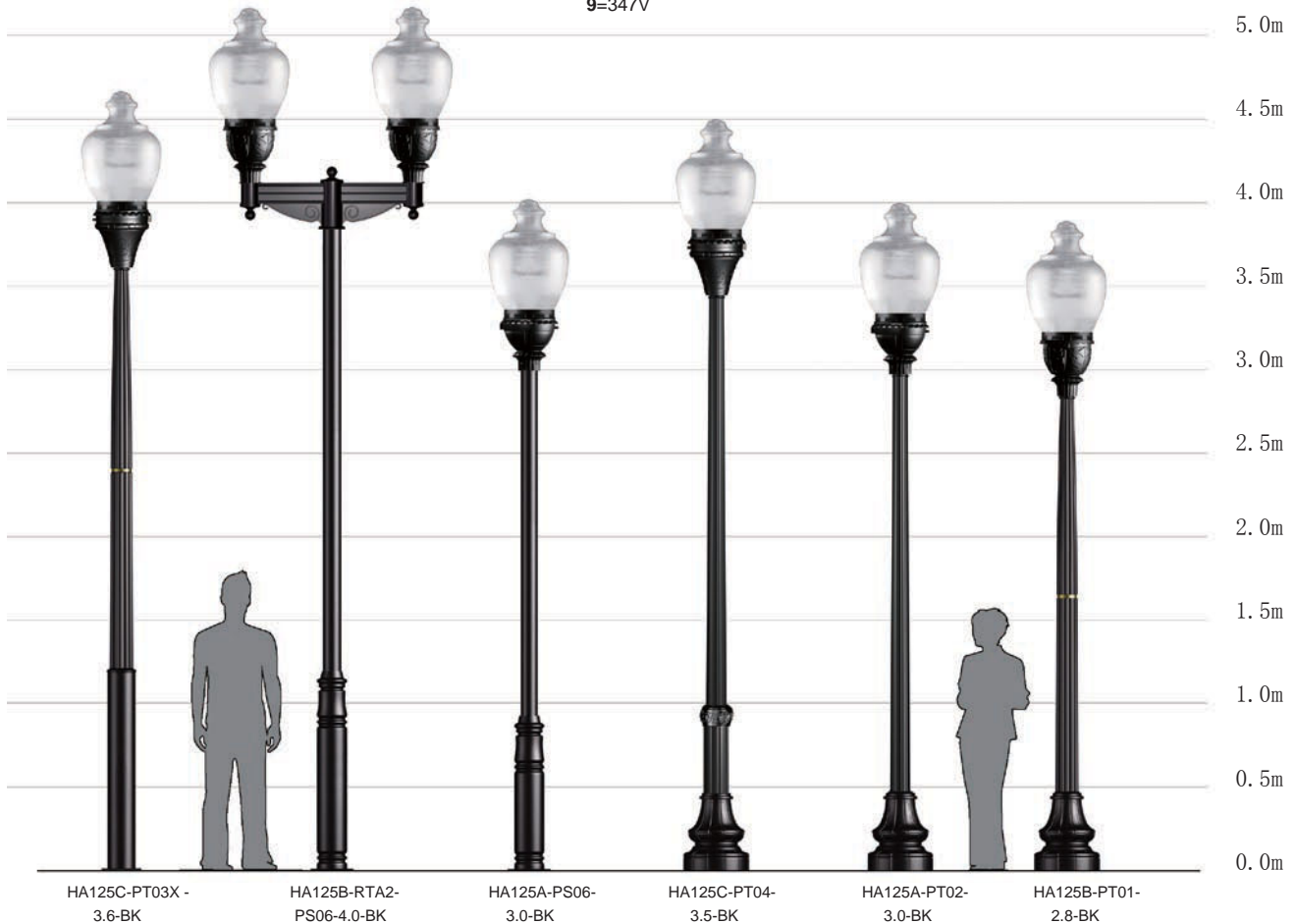
Ordering information

Sample Number: HA125A-15S1R16-PS01-2.8-BK

LAMP SOCKET E27/E26 Suit for 50W/70W/100W HPS or MH, E26 only for UL list

LAMP SOCKET E40/E39 Suit for 150W/175W HPS or MH, E39 only for UL list

Liminaire	(Lamp Wattage)	Lamp Type	Lamp & Ballast	Ballast Type	Voltage	Freq. ¹	(Mounting & Configuration) ¹	(Pole) ¹	Finish
HA125A	70=70W	M=MH	1=only	I=Impedance	2=120V	5=50Hz			BK=Black
HA125B	10=100W		Ballast	M=Leakage	0=208V	6=60Hz			DB=Dark
HA125C	15=150W	S=HPS	include	magnetic	2=220V				Bronze
	17=175W		2=all	P=HX-HPF ³	3=230V				GY=Grey
			include	W=CWA	4=240V				DN=Dark
					7=277V				Green
					8=480V				
					9=347V				



HA125C-PT03X - 3.6-BK

HA125B-RTA2-PS06-4.0-BK

HA125A-PS06-3.0-BK

HA125C-PT04-3.5-BK

HA125A-PT02-3.0-BK

HA125B-PT01-2.8-BK