



Specification

**Application:** Urban roads and street , Squares areas, Pedestrian areas, Residential areas,Parks

**Installing Hight:** 3-5m

**Mounting :** Post-top: suitable for Ø60mmx60mm tenon

**Lamps:** HID (HPS MH)/ LED bulb / CFL lamps, 30W-150W  
70W/150W HPS high pressure sodium, cap: E27/E26/ E40/E39

70W/150W MH metal halide, cap: E27/E26/E40/E39

30W/40w/50W Led bulb, cap: E27/E26/E40/E39

35W/45W/65W Compact fluorescent, cap: E27/E26

**Input Voltage:** 90-270VAC,50-60HZ

**Material:** Aluminium body

Housing: Die cast aluminium, Powder coating

Globe : High efficiency acrylic refractor

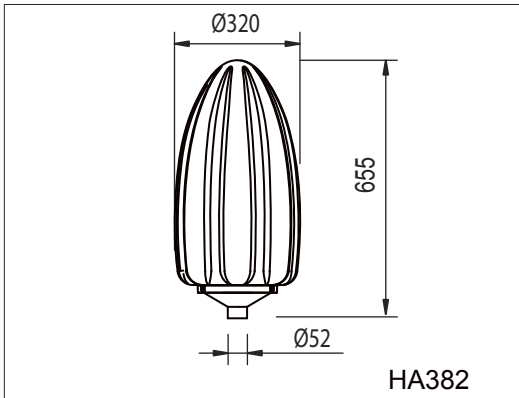
**Color:** Standard color are Black,Dark grey RAL7016 or Light grey RAL 7042 ,other colors are available

**Standards:**

Isolation degree Class I, IP Rating IP65



Dimensions



HA382-PS14-3.0 HA382-PS14F-3.0 HA382-PS13-3.0 HA382-GEW2-PS13F-3.0 HA382-GEW1-PS12-3.0 HA382-PS12F-3.0 HA382-RTL2-PS14-3.0