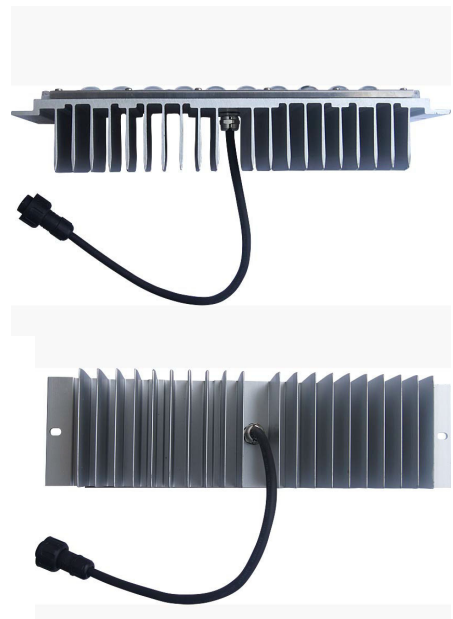


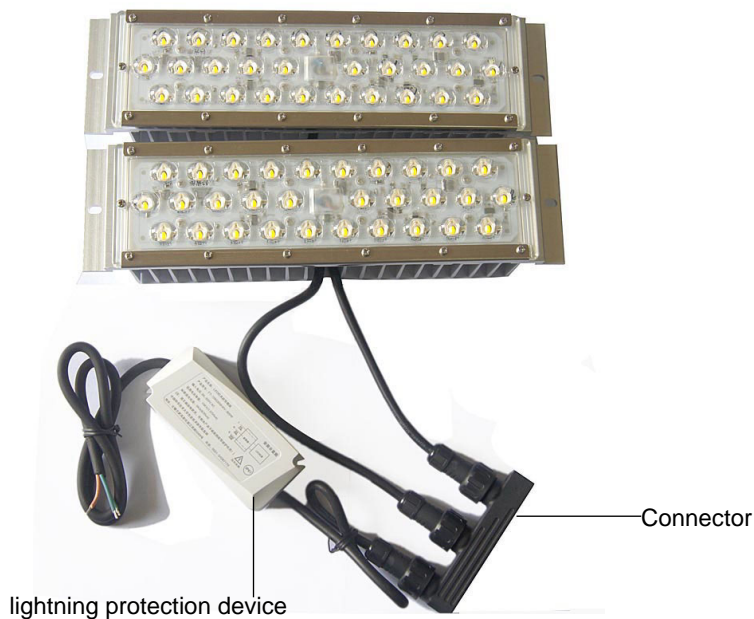
### Feature

- 1. Built-in AC driving, led chips is driven by AC method, discard the short-lived external driver
- 2. High luminaire efficiency, 140lm/w (Bridgelux chips) , Very high quality for upmarket
- 3. Highly consistent led chips, luminous flux attenuation less than 3% per year
- 4. High efficiency PC refractor, 93% luminousness
- 5. High quality led chip and Driver, 6 years warranty or more, led chips use the tech of polycrystal module
- 6. High efficiency light distribute especially for road lighting, pole space reach 4 times of height of pole.
- 7. Changable units for ease of more wattage and maintenance using connector

one module

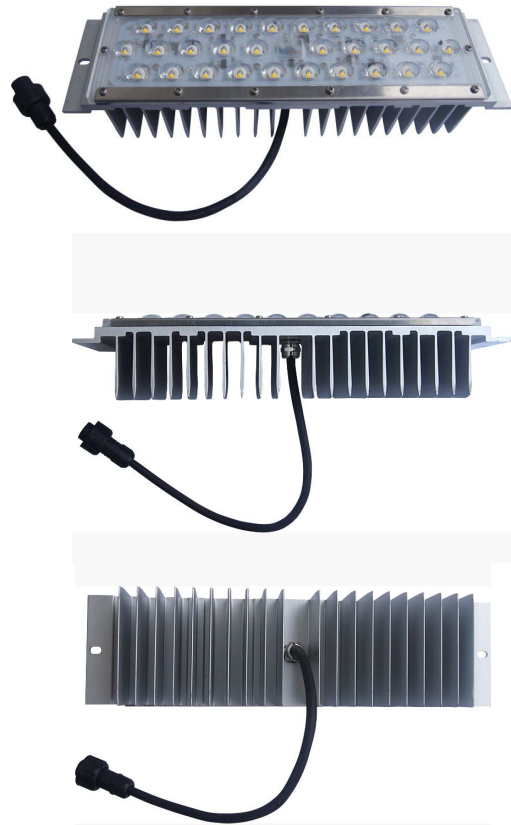


two or more module connecting

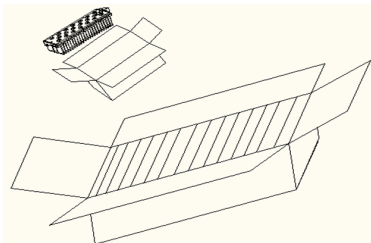


**Specifications**

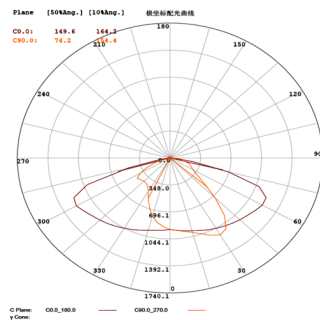
**Application:** Roads and highways, Urban roads and street, Squares areas, Pedestrian areas, Parks  
**Installing Hight:** 3-12m  
**Mounting :** Fix to fixture using screw, link to cable using connector  
**Lamps:** LED modules LED-M20(30pcs chips)  
**Lamp wattage :** 30W /40W /45W  
 Input Voltage: 160-305V AC,50/60HZ, or 90-130VAC,50/60HZ  
 Power Factor: >0.97  
 Luminous Flux: 140lm/w(Bridgelux),100lm/w(Sanan)  
 Luminous Flux attenuation: <3% / year  
 LED Chips Brand: Bridgelux(BR) or Sanan(SA)  
 LED Driver Brand: Built-in AC driving(led chips is driven by AC method),  
 Color Temperature(CCT): 3000K,4000K,5000K  
 Color Rending Index(CRI): Ra>70  
 Beam Angel: 140x65°  
 Working Temperature: -40 C to 50 C  
 Working Lifetime: 50000 hours  
**Material:** Aluminium body,  
 Heat sink: 6063 extrude aluminium  
 Lens: High efficiency PC refractor,93% luminousness  
**Standard:**  
 Isolation degree Class I, IP Rating(optical) IP66  
**Note: For more 5 meters using ,must use lightning protection device (we supply)**



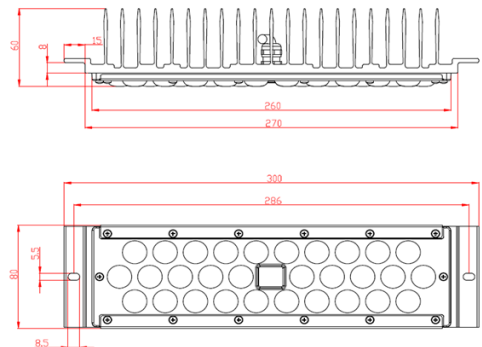
**Package**



**Photometrics**



**Dimension**



**Order information**

LED modules LED-M20,140lm/w, No need of external driver,six years warranty, We supply the lightning protection device

Order No.	Lamp Wattage	LED chips Qty/Brand	Luminous Flux(Tj=60°C) /3000K/4000K/5000K	LED Driver	Gross/Net Weight	Dimension L*W*H(cm)	Packing L*W*H(cm)	Warranty
LED-M20-30-BR	30W	30pcs/Bridge	4350lm /4200lm /4050lm	Built in AC driver	1kg /1kg	30x8x6	32x8.5x7(1pcs) 47x34x33(20)	six years
<b>LED-M20-40-BR</b>	40W	30pcs/Bridge	5600lm /5400lm /5200lm	Built in AC driver	1kg /1kg	30x8x6	32x8.5x7(1pcs) 47x34x33(20)	six years
LED-M20-45-BR	45W	30pcs/Bridge	5850lm /5625lm /5400lm	Built in AC driver	1kg /1kg	30x8x6	32x8.5x7(1pcs) 47x34x33(20)	six years
LED-M20-30-SA	30W	30pcs/Sanan	3150lm /3000lm /2850lm	Built in AC driver	1kg /1kg	30x8x6	32x8.5x7(1pcs) 47x34x33(20)	three years
LED-M20-40-SA	40W	30pcs/Sanan	4000lm /3800lm /3600lm	Built in AC driver	1kg /1kg	30x8x6	32x8.5x7(1pcs) 47x34x33(20)	three years
LED-M20-45-SA	45W	30pcs/Sanan	4275lm / 4050lm /3825lm	Built in AC driver	1kg /1kg	30x8x6	32x8.5x7(1pcs) 47x34x33(20)	three years