



Feature

Triangle shape, Very High quality for upmarket  
 Heavy-duty, die-cast FRP housing, 10 years service life  
 High efficiency acrylic lens with half cut-off reflector, saved 30% lighting



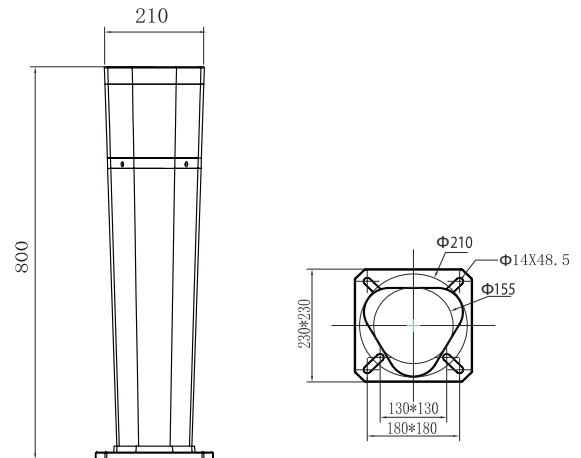
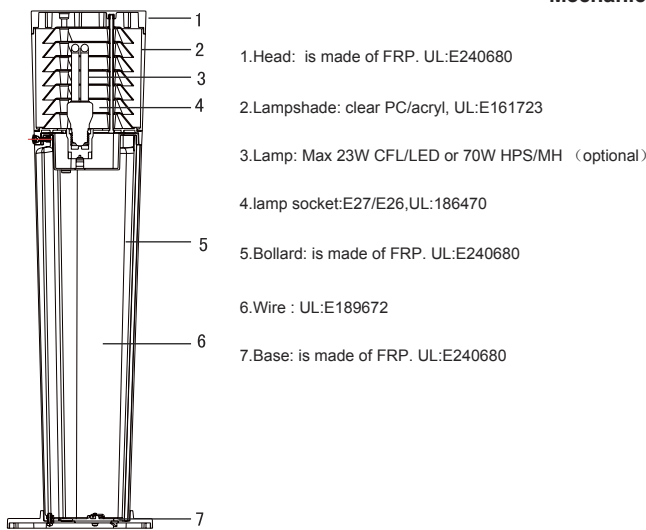
Color	Pine	Walnut	White	Grey	Dark Bronze	Black
Color code	WP	WW	WH	GY	DB	BK
Model	HC1218.08					
Size	Φ210×800mm					



**Specifications**

**Application:** Parks,Gardens,Squares areas,Plazas,Residential areas,Walkways,Pathway,Driveway,Entrance  
**Mounting:**Base mounts onto foundation with four (4) 12mm x 250mm anchor bolts  
**Voltage:** 220-240V/50Hz, 110-130V/60Hz  
**Lamp:** Max 70W high pressure sodium(HPS) or metal halide(MH),or Max 23W compact fluorescent(CFL). or 3W /5W/7W/9W LED bulb, Socket: E27/E26  
**Bollard:** Fiberglass-reinforced plastics body,having excellent mechanical strength and bear the causticity.  
**Optics:** High efficiency PC/acrylic lens with plastic reflector  
**Standard:** Comply with IEC598/EN60598, Class I eletrical, IP rating:IP65  
**Finish:** Standard painting colors is black (BK) ,dark bronze (DB), grey(GY),white(WH),standard texture colors is pine wood texture(WP),walnut wood texture(WW),special colors are available.

**Mechanical information**



**Ordering information**

Mark: Weight not include 2kg anchor bolts and template

Order No.	Lamp Wattage	Lamp Socket	Install Height	Gross/ Net Weight	Dimension L*W*H(cm)	Packing size(cm)	QTY(pcs) 20'/40'GP
HC1218.08	MAX 70W	E27/E26	800mm	6kg /5kg	23x23x80	25x25x83	540/1080

Color Code:black (BK) ,dark bronze(DB), grey(GY),white(WH), wood pine texture(WP),wood walnut texture(WW)

Ordering number

Model \_ Color Code  
 Sample: HC1218.08-BK