







HC9721



Feature

Very High quality for upmarket  
 Heavy-duty, die-cast FRP housing, 10 years service life  
 High efficiency acrylic refractor, saved 30% lighting

														
Color	Black	Grey	Dark Bronze	Wood pine	wood walnut	Grey	Dark Bronze	Black	Black	Grey	White	Grey	Dark Bronze	Black
Color code	BK	GY	DB	WP	WW	GY	DB	BK	BK	GY	WH	GY	DB	BK
Model	HC9721.06A		HC9721.08A		HC9721.10A		HC9721.06B		HC9721.08B		HC9721.10B			
Size	Φ180×550mm		Φ180×800mm		Φ180×1066mm		Φ180×600mm		Φ180×800mm		Φ180×1066mm			



**Specifications**

**Application:** Parks, Gardens, Squares areas, Plazas, Residential areas, Walkways, Pathway, Driveway, Entrance

**Mounting:** Base mounts onto foundation with four (4) 12mm x 250mm anchor bolts

**Voltage:** 220-240V/50Hz, 110-130V/60Hz

**Lamp:** Max 70W high pressure sodium (HPS) or metal halide (MH), or Max 23W compact fluorescent (CFL), or 3W /5W/7W/9W LED bulb, Socket: E27/E26

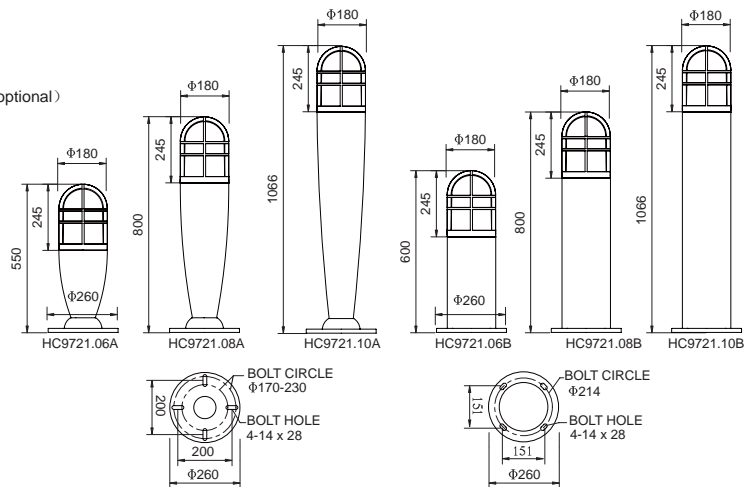
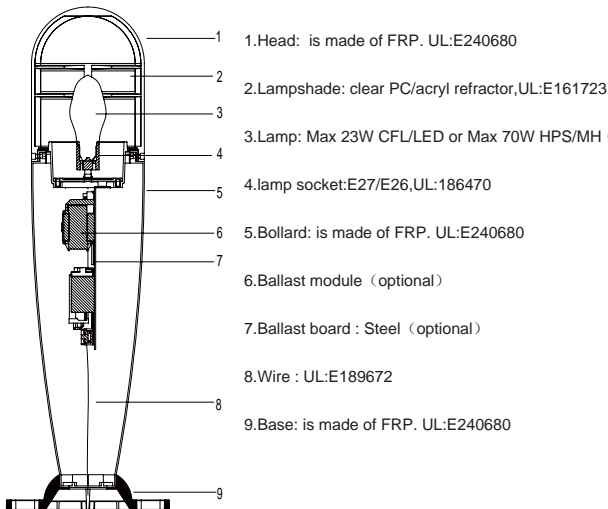
**Bollard:** Fiberglass-reinforced plastics body, having excellent mechanical strength and bear the causticity.

**Optics:** High efficiency clear PC/acrylic refractor

**Standard:** Comply with IEC598/EN60598, Class I electrical, IP rating: IP65

**Finish:** Standard painting colors is black (BK), dark bronze (DB), grey (GY), white (WH), standard texture colors is pine wood texture (WP), walnut wood texture (WW), special colors are available.

**Mechanical information**



**Ordering information**

Mark: Weight not include 2kg anchor bolts and template

Order No.	Lamp Wattage	Lamp Socket	Install Height	Gross/ Net Weight	Dimension L*W*H(cm)	Packing size(cm)	QTY(pcs) 20'/40'GP
HC9721.06A	MAX 23W	E27/E26	550mm	5kg /4kg	23x23x55	27x27x57	640/1280
HC9721.08A	MAX 70W	E27/E26	800mm	6kg /5kg	26x26x80	27x27x82	430/860
HC9721.10A	MAX 70W	E27/E26	1066mm	7kg /6kg	26x26x107	27x27x109	330/660
HC9721.06B	MAX 70W	E27/E26	600mm	5kg /4kg	26x26x60	27x27x62	570/1140
HC9721.08B	MAX 70W	E27/E26	800mm	6kg /5kg	26x26x80	27x27x82	430/860
HC9721.10B	MAX 70W	E27/E26	1066mm	7kg /6kg	26x26x107	27x27x109	330/660

Color Code:black (BK), dark bronze(DB), grey(GY), white(WH), wood pine texture(WP), wood walnut texture(WW)

Ordering number Model\_Color Code  
Sample: HC9721.08B-BK