

Feature

Very High quality for upmarket
 Heavy-duty, die-cast FRP housing, 10 years service life
 High efficiency acrylic refractor, saved 30% lighting





Specifications

Application: Parks, Gardens, Squares areas, Plazas, Residential areas, Walkways, Pathway, Driveway, Entrance

Mounting: Base mounts onto foundation with four (4) 12mm x 250mm anchor bolts

Voltage: 220-240V/50Hz, 110-130V/60Hz

Lamp: Max 23W compact fluorescent(CFL). or 3W /5W/7W/9W LED bulb, Socket: E27/E26

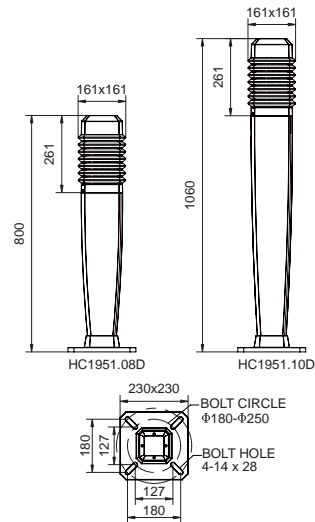
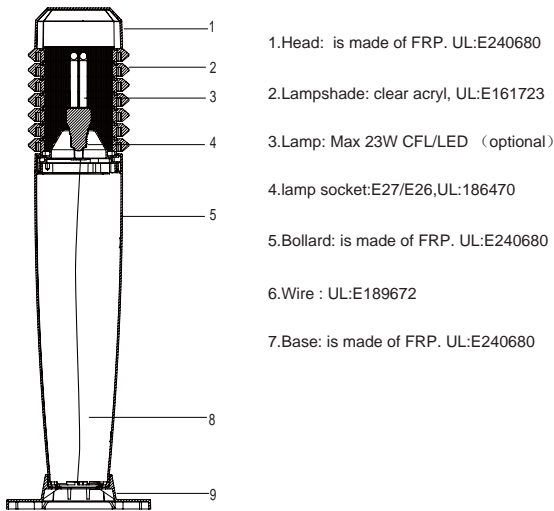
Bollard: Fiberglass-reinforced plastics body, having excellent mechanical strength and bear the causticity.

Optics: High efficiency clear acrylic refractor

Standard: Comply with IEC598/EN60598, Class I electrical, IP rating:IP65

Finish: Standard painting colors is black (BK) ,dark bronze (DB), grey(GY),white(WH),standard texture colors is pine wood texture(WP),walnut wood texture(WW),special colors are available.

Mechanical information



Ordering information

Mark: Weight not include 2kg anchor bolts and template

Order No.	Lamp Wattage	Lamp Socket	Install Height	Gross/ Net Weight	Dimension L*W*H(cm)	Packing size(cm)	QTY(pcs) 20'/40'GP
HC1951.08B	MAX 23W	E27/E26	800mm	6kg /5kg	23x23x80	23x23x83	540 /1080
HC1951.10B	MAX 23W	E27/E26	1060mm	7kg /6kg	23x23x106	23x23x109	410 /820

Color Code:black (BK) ,dark bronze(DB), grey(GY),white(WH), wood pine texture(WP),wood walnut texture(WW)

Ordering number

Model_ Color Code

Sample: HC1951.08D-BK