

CROWN SERIES



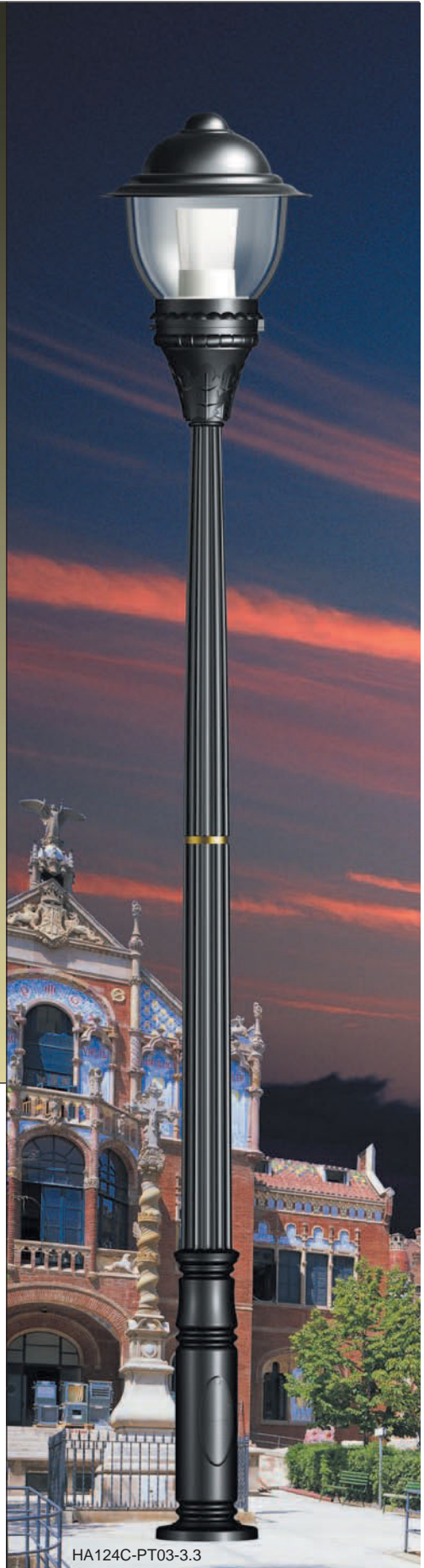


Feature

- Classical type of traditional area lighting
- Very High quality for upmarket
- Heavy-duty, die-cast FRP housing
- High efficiency acrylic refractor
- Tool-less removable power tray assembly for ease of maintenance
- Available with medium- or mogul-base socket
- Base casting slip fits over a standard 3" O.D. tenon



HA124C



HA124C-PT03-3.3

Feature

- Classical type of traditional area lighting
- Very High quality for upmarket
- Heavy-duty, die-cast FRP housing
- High efficiency acrylic refractor
- Tool-less removable power tray assembly for ease of maintenance
- Available with medium- or mogul-base socket
- Base casting slip fits over a standard 3" O.D. tenon



HA124A



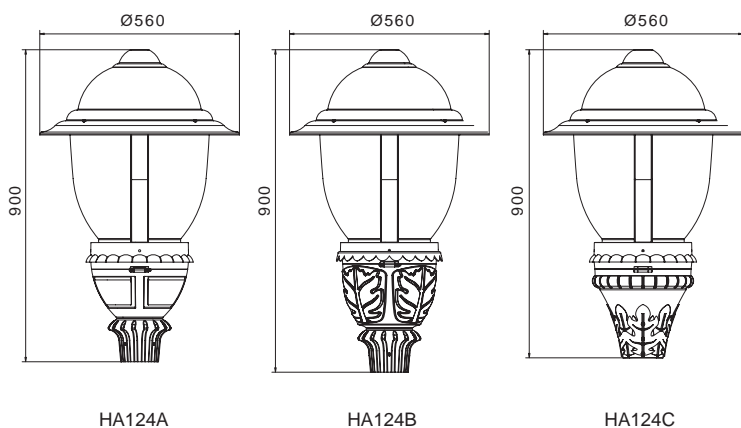
HA124B



HA124C

Dimensions

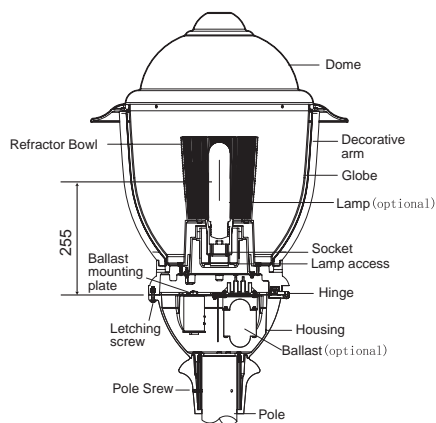
Mechanical



HA124A

HA124B

HA124C



Specification

Application: Urban roads and street , Squares areas, Pedestrian areas, Residential areas,Parks,Garden

Installing Hight: 3-5m

Mounting : Post-top: suitable for Ø76mmx90mm tenon

Lamps: HID (HPS MH)/ LED bulb / CFL lamps, 30W-150W

70W/150W HPS high pressure sodium, cap: E27/E26/E40/E39

70W/150W MH metal halide, cap: E27/E26/E40/E39

35w/45W/65W Compact fluorescent, cap: E27/E26

30W/40w/50W Led bulb, cap: E27/E26/E40/E39

Material: FRP, fiber glass body

Dome: Spun aluminium

Decorative arm & Housing: Fiberglass-reinforced plastics,excellent mechanical strength and bear the causticity

Globe : High efficiency acrylic refractor

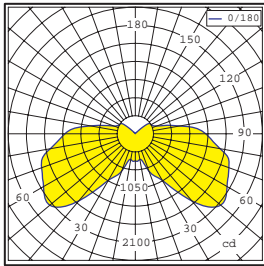
Color: Standard colors is black (BK) ,other colors dark bronze (DB)(RAL7013), dark grey (GY)(RAL7016), light grey(LG)(RAL7042), dark green (DN)(RAL6005) are available

Standards:

Isolation degree Class I, IP Rating(optical) IP65

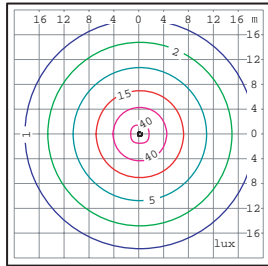
Photometrics

Photometric curve



Lamp:150W HPS 15000Lm

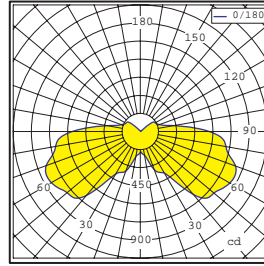
Isolux curve



Mounting Height:4m

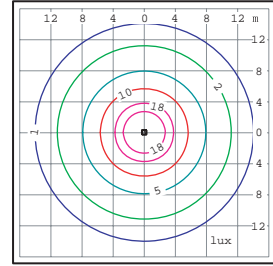
TYPE V

Photometric curve



Lamp:70W HPS 6000Lm

Isolux curve



Mounting Height:4m

TYPE V

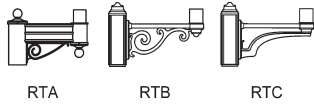
Ordering Guide

Luminaire No. - (Mounting & configuration) - Pole No.

Order No.	HEIGHT mm	Luminaire Ctn. cm	Total Vol m ³	G.W./N.W. kg/ctn	QUANTITIES 20'/40'
HA124A	900	57x57x930/1pcs	0.30	16/13	94/190
HA124A-PT01-2.8	3700	57x57x930/1pcs	0.46	46/43	61/124
HA124A-PT02-3.0	3900	57x57x930/1pcs	0.46	51/48	61/124
HA124A-PT03-3.3	4200	57x57x930/1pcs	0.44	46/43	64/130
HA124A-PT03X-3.6	4500	57x57x930/1pcs	0.45	50/47	62/126
HA124A-PT04-3.5	4400	57x57x930/1pcs	0.48	58/55	58/118
HA124A-PT04-4.0	4900	57x57x930/1pcs	0.50	64/61	56/114
HA124A-PS06-3.0	3900	57x57x930/1pcs	0.42	46/43	67/136
HA124A-PS06-3.5	4400	57x57x930/1pcs	0.44	48/46	64/130
HA124A-PS06-4.0	4900	57x57x930/1pcs	0.46	56/53	61/124
HA124A-RTA2-PS06-4.0	5100	57x57x930/1pcs	0.69	84/78	40/82
HA124B	900	57x57x930/1pcs	0.30	17/14	94/190
HA124B-PT01-2.8	3700	57x57x930/1pcs	0.46	47/44	61/124
HA124B-PT02-3.0	3900	57x57x930/1pcs	0.46	52/49	61/124
HA124B-PT03-3.3	4200	57x57x930/1pcs	0.44	47/44	64/130
HA124B-PT03X-3.6	4500	57x57x930/1pcs	0.45	51/48	62/126
HA124B-PT04-3.5	4400	57x57x930/1pcs	0.48	59/56	58/118
HA124B-PT04-4.0	4900	57x57x930/1pcs	0.50	65/62	56/114
HA124B-PS06-3.0	3900	57x57x930/1pcs	0.42	47/44	67/136
HA124B-PS06-3.5	4400	57x57x930/1pcs	0.44	50/47	64/130
HA124B-PS06-4.0	4900	57x57x930/1pcs	0.46	57/54	61/124
HA124B-RTA2-PS06-4.0	5100	57x57x930/1pcs	0.69	86/80	40/82
HA124C	900	57x57x930/1pcs	0.30	17/14	94/190
HA124C-PT01-2.8	3700	57x57x930/1pcs	0.46	47/44	61/124
HA124C-PT02-3.0	3900	57x57x930/1pcs	0.46	52/49	61/124
HA124C-PT03-3.3	4200	57x57x930/1pcs	0.44	47/44	64/130
HA124C-PT03X-3.6	4500	57x57x930/1pcs	0.45	51/48	62/126
HA124C-PT04-3.5	4400	57x57x930/1pcs	0.48	59/56	58/118
HA124C-PT04-4.0	4900	57x57x930/1pcs	0.50	65/62	56/114
HA124C-PS06-3.0	3900	57x57x930/1pcs	0.42	47/44	67/136
HA124C-PS06-3.5	4400	57x57x930/1pcs	0.44	50/47	64/130
HA124C-PS06-4.0	4900	57x57x930/1pcs	0.46	57/54	61/124
HA124C-RTA2-PS06-4.0	5100	57x57x930/1pcs	0.69	86/80	40/82

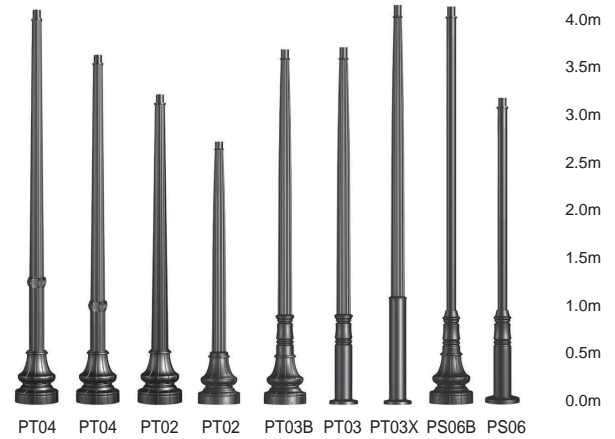
Mountings

(Consult the Pole Guide for detail and the complete line for poles)

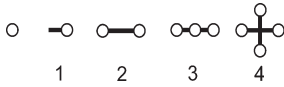


Poles and pole options

(Consult the Pole Guide for detail and the complete line for poles)



Configuration



Ordering information

Sample Number: HA124A-PS01-2.8-BK

LAMP SOCKET E27/E26 Suit for 50W/70W/100W HPS or MH, E26 only for UL list

LAMP SOCKET E40/E39 Suit for 150W/175W HPS or MH, E39 only for UL list

Liminaire	(Lamp Wattage)	Lamp Type	Lamp & Ballast	Ballast Type	Voltage	Freq. ¹	(Mounting & Pole) ¹ Configuration	Finish
HA124A	70=70W	M=MH	1=only	I=Impedance	2=120V	5=50Hz		BK=Black
HA124B	10=100W		Ballast	M=Leakage	0=208V	6=60Hz		DB=Dark
HA124C	15=150W	S=HPS	include	magnetic	2=220V			Bronze
	17=175W		2=all	P=HX-HPF ³	3=230V			GY=Grey
			include	W=CWA	4=240V			DN=Dark
					7=277V			Green
					8=480V			
					9=347V			

