



HC9961

Feature

Very High quality for upmarket  
 Heavy-duty, die-cast FRP housing, 10 years service life  
 High efficiency glass refractor with top aluminium reflector, saved 30% lighting

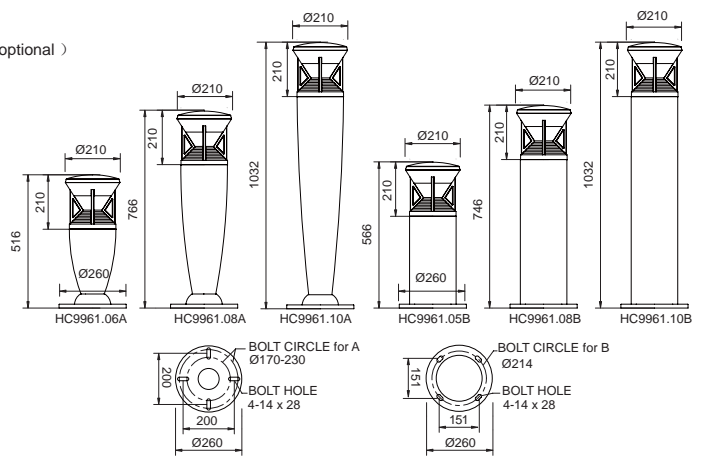
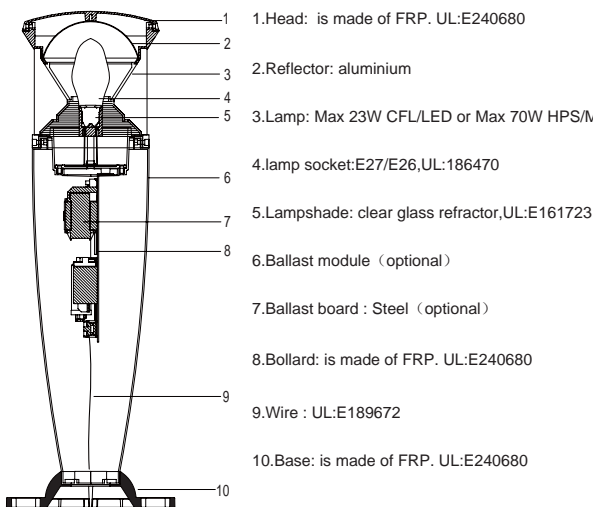




**Specifications**

**Application:** Parks,Gardens,Squares areas,Plazas,Residential areas,Walkways,Pathway,Driveway,Entrance  
**Mounting:**Base mounts onto foundation with four (4) 12mm x 250mm anchor bolts  
**Voltage:** 220-240V/50Hz,110-130V/60Hz  
**Lamp:** Max 70W high pressure sodium(HPS) or metal halide(MH),or Max 23W compact fluorescent(CFL). or 3W /5W/7W/9W LED bulb, Socket: E27/E26  
**Bollard:** Fiberglass-reinforced plastics body,having excellent mechanical strength and bear the causticity.  
**Optics:** Clear glass refrator with top aluminium reflector  
**Standard:** Comply with IEC598/EN60598, Class I eletrical, IP rating:IP65  
**Finish:** Standard painting colors is black (BK) ,dark bronze (DB) ,grey(GY),white(WH),standard texture colors is pine wood texture(WP),walnut wood texture(WW),special colors are available.

**Mechanical information**



**Ordering information**

Mark: Weight not include 2kg anchor bolts and template

Order No.	Lamp Wattage	Lamp Socket	Install Height	Gross/ Net Weight	Dimension L*W*H(cm)	Packing size(cm)	QTY(pcs) 20'/40'GP
HC9961.06A	MAX 23W	E27/E26	516mm	5kg /4kg	23x23x52	27x27x54	672/1344
HC9961.08A	MAX 70W	E27/E26	766mm	6kg /5kg	26x26x77	27x27x79	464/928
HC9961.10A	MAX 70W	E27/E26	1032mm	7kg /6kg	26x26x103	27x27x105	352/704
HC9961.06B	MAX 70W	E27/E26	566mm	5kg /4kg	26x26x57	27x27x59	640/1280
HC9961.08B	MAX 70W	E27/E26	746mm	6kg /5kg	26x26x75	27x27x77	464/928
HC9961.10B	MAX 70W	E27/E26	1032mm	7kg /6kg	26x26x103	27x27x105	352/704

Color Code:black (BK) ,dark bronze(DB) ,grey(GY),white(WH), wood pine texture(WP),wood walnut texture(WW)

Ordering number Model-Color Code  
 Sample: HC9961.06A-BK