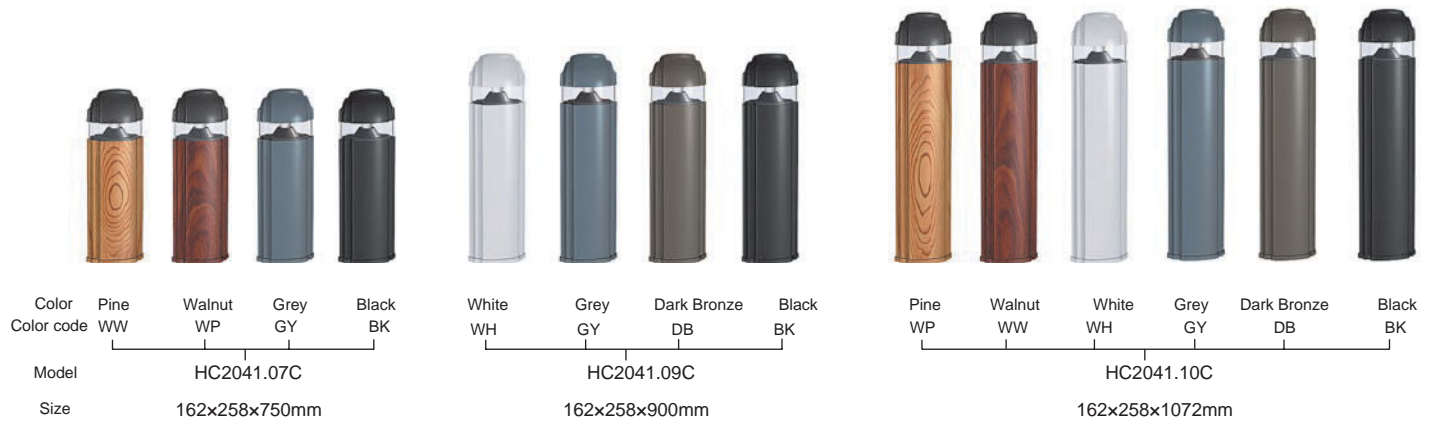


HC2041



Feature

Very High quality for upmarket
 Heavy-duty, die-cast FRP housing, 10 years service life
 High efficiency acrylic refractor, saved 30% lighting





Specifications

Application: Parks, Gardens, Squares areas, Plazas, Residential areas, Walkways, Pathway, Driveway, Entrance

Mounting: Base mounts onto foundation with four (4) 12mm x 250mm anchor bolts

Voltage: 220-240V/50Hz, 110-130V/60Hz

Lamp: Max 70W high pressure sodium (HPS) or metal halide (MH), or Max 23W compact fluorescent (CFL), or 3W /5W/7W/9W LED bulb, Socket: E27/E26

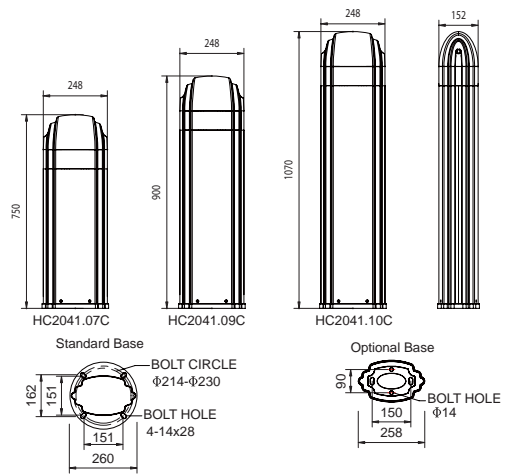
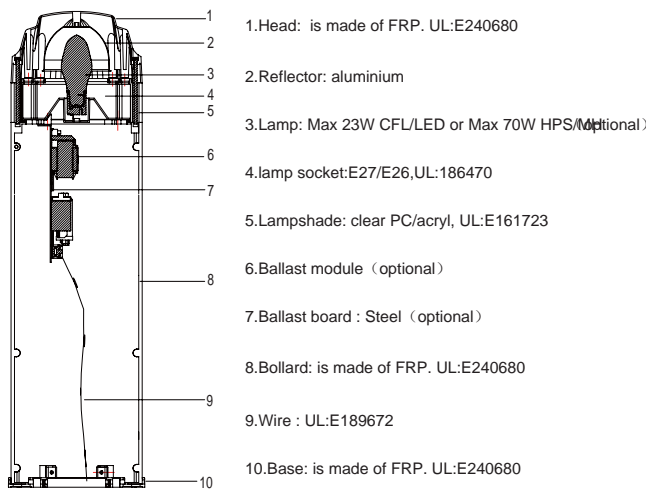
Bollard: Fiberglass-reinforced plastics body, having excellent mechanical strength and bear the causticity.

Optics: High efficiency clear PC/acrylic lens, aluminium reflector

Standard: Comply with IEC598/EN60598, Class I electrical, IP rating: IP65

Finish: Standard painting colors is black (BK), dark bronze (DB), grey (GY), white (WH), standard texture colors is pine wood texture (WP), walnut wood texture (WW), special colors are available.

Mechanical information



Ordering information

Mark: Weight not include 2kg anchor bolts and template

Order No.	Lamp Wattage	Lamp Socket	Install Height	Gross/ Net Weight	Dimension L*W*H(cm)	Packing size(cm)	QTY(pcs) 20'/40'GP
HC2041.07C	MAX 70W	E27/E26	750mm	5kg /4kg	26x26x75	27x27x78	448 /896
HC2041.09C	MAX 70W	E27/E26	900mm	6kg /5kg	26x26x90	27x27x93	380 /760
HC2041.10C	MAX 70W	E27/E26	1070mm	7kg /6kg	26x26x107	27x27x110	330 /660

Color Code: black (BK), dark bronze (DB), grey (GY), white (WH), wood pine texture (WP), wood walnut texture (WW)

Ordering number

Model - Color Code

Sample: HC2041.07C-BK