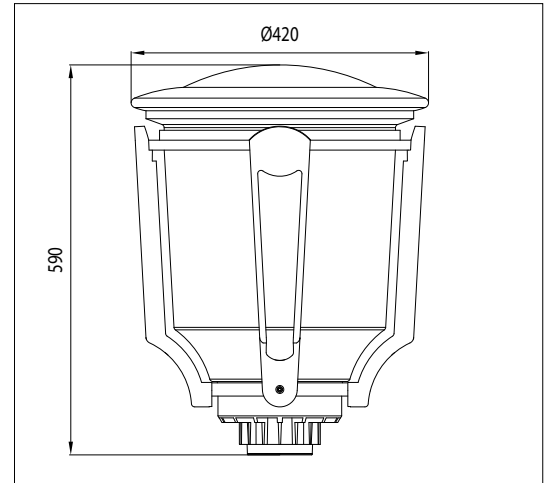


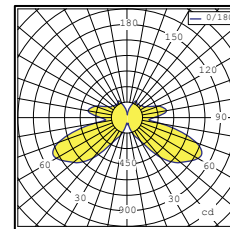
Garden Post top lighting

Leto HA0011





Photometrics



Lamp:50W LED 5000Lm

Application: Urban roads and street , Squares areas,
Pedestrian areas, Residential areas,Parks

Installing Hight: 3-5m

Mounting : Post-top: suitable for Ø76mmx50mm tenon

Lamps: HID (HPS MH)/ LED bulb / CFL lamps, 30W-150W
70W/150W HPS high pressure sodium, cap: E27/E26/E40/E39

70W/150W MH metal halide, cap: E27/E26/E40/E39

30W/40w/50W Led bulb, cap: E27/E26/E40/E39

35W/45W/65W Compact fluorescent, cap: E27/E26

Input Voltage: 90-270VAC,50-60HZ

Material: Aluminium body

Housing: Die cast aluminium, Powder coating

Globe : High efficiency acrylic refractor

Color: Standard color are Black,Dark grey RAL7016 or
Light grey RAL 7042 ,other colors are available

Standards:

Isolation degree Class I, IP Rating IP65



Ordering Information

Order No.	Lamp Wattage	Lamp Socket	Install Height(m)	Gross / Net Weight(kg)	Dimension L*W*H(cm)	Packing size(cm)	QTY 20'/40'GP
HA0011	MAX 150W	E27/E40	3m-5m	7 / 6	42x42X59	43x43x62	180/360