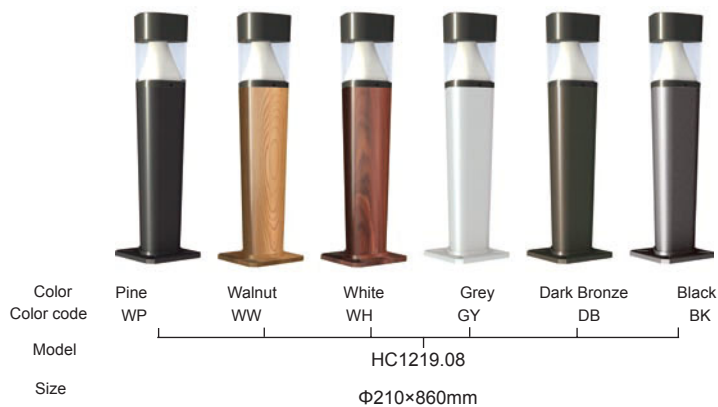




Feature

Triangle shape, Very High quality for upmarket
 Heavy-duty, die-cast FRP housing, 10 years service life
 High efficiency acrylic lens with half cut-off reflector, saved 30% lighting

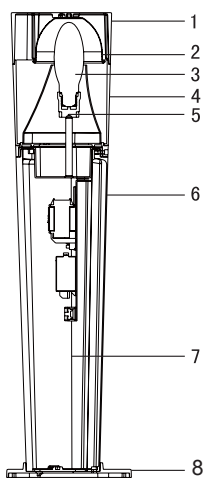




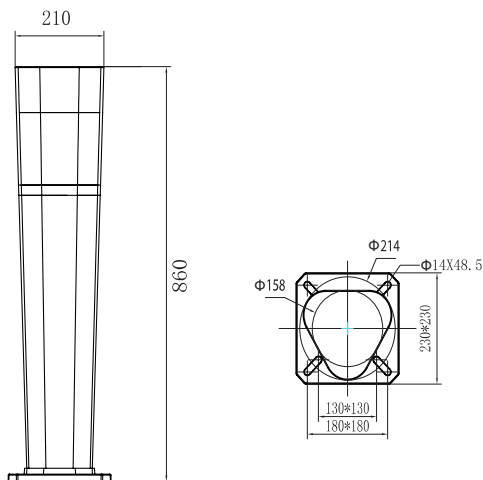
Specifications

- Application:** Parks, Gardens, Squares areas, Plazas, Residential areas, Walkways, Pathway, Driveway, Entrance
- Mounting:** Base mounts onto foundation with four (4) 12mm x 250mm anchor bolts
- Voltage:** 220-240V/50Hz, 110-130V/60Hz
- Lamp:** Max 70W high pressure sodium (HPS) or metal halide (MH), or Max 23W compact fluorescent (CFL), or 3W /5W/7W/9W LED bulb, Socket: E27/E26
- Bollard:** Fiberglass-reinforced plastics body, having excellent mechanical strength and bear the causticity.
- Optics:** High efficiency PC/acrylic lens, aluminium reflector
- Standard:** Comply with IEC598/EN60598, Class I electrical, IP rating: IP65
- Finish:** Standard painting colors is black (BK) ,dark bronze (DB), grey (GY), white (WH), standard texture colors is pine wood texture (WP), walnut wood texture (WW), special colors are available.

Mechanical information



- 1. Head: is made of FRP. UL: E240680
- 2. Reflector: Anodized high pure aluminium
- 3. Lamp: Max 23W CFL/LED or 70W HPS/MH (optional)
- 4. Lampshade: clear PC/acryl, UL: E161723
- 5. lamp socket: E27/E26, UL: 186470
- 6. Bollard: is made of FRP. UL: E240680
- 7. Wire : UL: E189672
- 8. Base: is made of FRP. UL: E240680



Ordering information

Mark: Weight not include 2kg anchor bolts and template

Order No.	Lamp Wattage	Lamp Socket	Install Height	Gross/ Net Weight	Dimension L*W*H(cm)	Packing size(cm)	QTY(pcs) 20'/40'GP
HC1219.08	MAX 70W	E27/E26	860mm	6kg /5kg	23x23x86	25x25x89	520 /1040

Color Code: black (BK) ,dark bronze(DB), grey(GY), white(WH), wood pine texture(WP), wood walnut texture(WW)

Ordering number Model - Color Code
Sample: HC1219.08-BK