

CROWN SERIES





HA128B



HA128B-PT02-3.0

Feature

- Classical type of traditional area lighting
- Very High quality for upmarket
- Heavy-duty, die-cast FRP housing
- High efficiency acrylic refractor
- Tool-less removable power tray assembly for ease of maintenance
- Available with medium- or mogul-base socket
- Base casting slip fits over a standard 3" O.D. tenon



HA128C

Feature

- Classical type of traditional area lighting
- Very High quality for upmarket
- Heavy-duty, die-cast FRP housing
- High efficiency acrylic refractor
- Tool-less removable power tray assembly for ease of maintenance
- Available with medium- or mogul-base socket
- Base casting slip fits over a standard 3" O.D. tenon



HA128C-PT04-3.5



HA128A

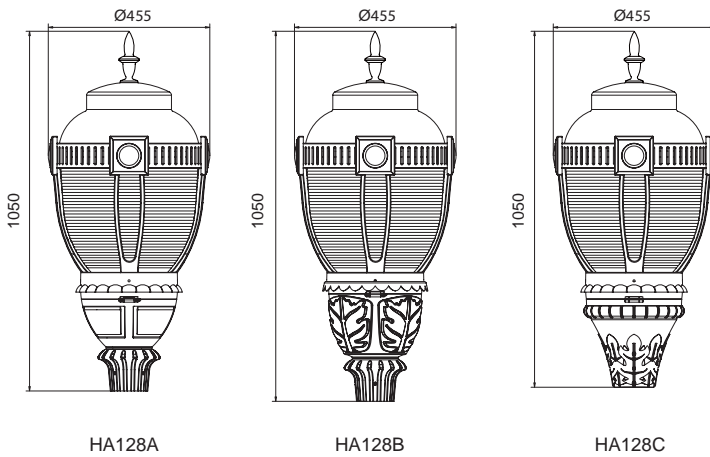


HA128B



HA128C

Dimensions

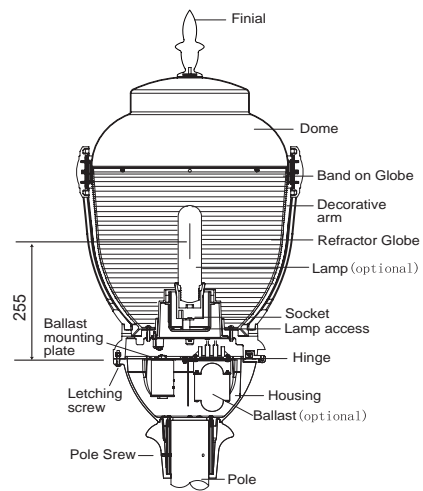


HA128A

HA128B

HA128C

Mechanical



Specification

Application: Urban roads and street , Squares areas, Pedestrian areas, Residential areas,Parks,Garden

Installing Hight: 3-5m

Mounting : Post-top: suitable for Ø76mmx90mm tenon

Lamps: HID (HPS MH)/ LED bulb / CFL lamps, 30W-150W
 70W/150W HPS high pressure sodium, cap: E27/E26/E40/E39
 70W/150W MH metal halide, cap: E27/E26/E40/E39
 35w/45W/65W Compact fluorescent, cap: E27/E26
 30W/40w/50W Led bulb, cap: E27/E26/E40/E39

Material: FRP, fiber glass body

Final: Cast aluminium

Dome: Spun aluminium

Decorative arm , Band & Housing: Fiberglass-reinforced plastics,excellent mechanical strength and bear the causticity

Globe : High efficiency acrylic refractor

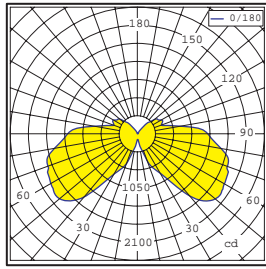
Color: Standard colors is black (BK) ,other colors dark bronze (DB)(RAL7013), dark grey (GY)(RAL7016), light grey(LG)(RAL7042), dark green (DN)(RAL6005) are available

Standards:

Isolation degree Class I, IP Rating(optical) IP65

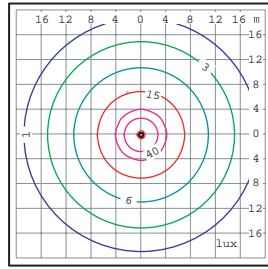
Photometrics

Photometric curve



Lamp:150W HPS 15000Lm

Isolux curve



Mounting Height:4m

TYPE V

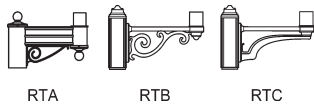
Ordering Guide

Luminaire No. - (Mounting & configuration) - Pole No.

Order No.	HEIGHT mm	Luminaire Ctn. cm	Total Vol m ³	G.W./N.W. kg/ctn	QUANTITIES 20'/40'
HA128A	1050	45x45x95/1 pcs	0.20	16/12	130/260
HA128A-PT01-2.8	3900	45x45x95/1 pcs	0.36	46/42	74/150
HA128A-PT02-3.0	4100	45x45x95/1 pcs	0.36	51/47	74/150
HA128A-PT03-3.3	4400	45x45x95/1 pcs	0.34	46/42	78/158
HA128A-PT03X-3.6	4700	45x45x95/1 pcs	0.35	50/46	76/154
HA128A-PT04-3.5	4600	45x45x95/1 pcs	0.38	58/54	70/142
HA128A-PT04-4.0	5100	45x45x95/1 pcs	0.40	64/60	67/136
HA128A-PS06-3.0	4100	45x45x95/1 pcs	0.32	46/42	83/168
HA128A-PS06-3.5	4600	45x45x95/1 pcs	0.34	49/45	78/158
HA128A-PS06-4.0	5100	45x45x95/1 pcs	0.36	56/52	74/150
HA128A-RTA2-PS06-4.0	5300	45x45x95/1 pcs	0.59	84/76	45/92
HA128B	1050	45x45x95/1 pcs	0.20	17/13	130/260
HA128B-PT01-2.8	3900	45x45x95/1 pcs	0.36	47/43	74/150
HA128B-PT02-3.0	4100	45x45x95/1 pcs	0.36	52/48	74/150
HA128B-PT03-3.3	4400	45x45x95/1 pcs	0.34	47/43	78/158
HA128B-PT03X-3.6	4700	45x45x95/1 pcs	0.35	51/47	76/154
HA128B-PT04-3.5	4600	45x45x95/1 pcs	0.38	59/55	70/142
HA128B-PT04-4.0	5100	45x45x95/1 pcs	0.40	65/61	67/136
HA128B-PS06-3.0	4100	45x45x95/1 pcs	0.32	47/43	83/168
HA128B-PS06-3.5	4600	45x45x95/1 pcs	0.34	50/46	78/158
HA128B-PS06-4.0	5100	45x45x95/1 pcs	0.36	57/53	74/150
HA128B-RTA2-PS06-4.0	5300	45x45x95/1 pcs	0.59	86/78	45/92
HA128C	1050	45x45x95/1 pcs	0.20	17/13	130/260
HA128C-PT01-2.8	3900	45x45x95/1 pcs	0.36	47/43	74/150
HA128C-PT02-3.0	4100	45x45x95/1 pcs	0.36	52/48	74/150
HA128C-PT03-3.3	4400	45x45x95/1 pcs	0.34	47/43	78/158
HA128C-PT03X-3.6	4700	45x45x95/1 pcs	0.35	51/47	76/154
HA128C-PT04-3.5	4600	45x45x95/1 pcs	0.38	59/55	70/142
HA128C-PT04-4.0	5100	45x45x95/1 pcs	0.40	65/61	67/136
HA128C-PS06-3.0	4100	45x45x95/1 pcs	0.32	47/43	83/168
HA128C-PS06-3.5	4600	45x45x95/1 pcs	0.34	50/46	78/158
HA128C-PS06-4.0	5100	45x45x95/1 pcs	0.36	57/53	74/150
HA128C-RTA2-PS06-4.0	5300	45x45x95/1 pcs	0.59	86/78	45/92

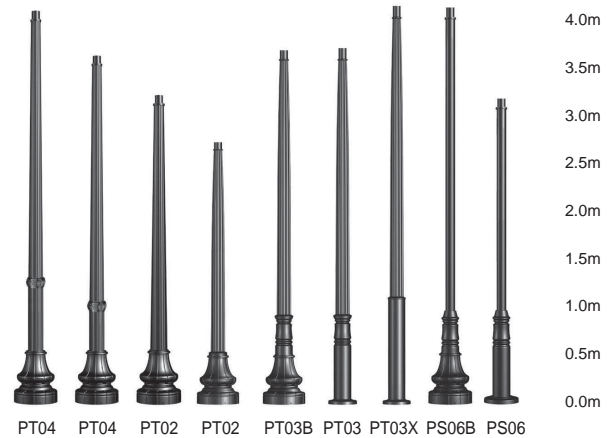
Mountings

(Consult the Pole Guide for detail and the complete line for poles)

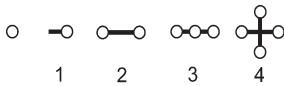


Poles and pole options

(Consult the Pole Guide for detail and the complete line for poles)



Configuration



Ordering information

Sample Number: HA128A-15S1R16-RTA2-PS01-2.8-BK

LAMP SOCKET E27/E26 Suit for 50W/70W/100W HPS or MH, E26 only for UL list
 LAMP SOCKET E40/E39 Suit for 150W/175W HPS or MH,E39 only for UL list

Liminaire	(Lamp Wattage)	Lamp Type	Lamp & Ballast	Ballast Type	Voltage	Freq. ¹	(Mounting & Configuration) ¹	(Pole) ¹	Finish
HA128A	70=70W	M=MH	1=only	I=Impedance	1=120V	5=50Hz			BK=Black
HA128B	10=100W		Ballast	M=Leakage	0=208V	6=60Hz			DB=Dark
HA128C	15=150W	S=HPS	include	magnetic	2=220V				Bronze
	17=175W		2=all	P=HX-HPF ³	3=230V				GY=Grey
			include	W=CWA	4=240V				DN=Dark
					7=277V				Green
					8=480V				
					9=347V				

