

SPECIFICATIONS:

Application: Urban roads and street , Squares areas, Pedestrian areas, Residential areas,Parks,Garden
Installing Hight: 3m-4m

PT03 pole: high-tensile carbon steel, Flute tapered shaft from top 90mm, welded togher with an 165 mm round straight high-tensile carbon-steel, welded square pole base or round pole base,welding standard is according to AWS D 1.1 /BS EN 1011-1,BS EN 1011-2. the entire shaft assembly is hot dipped galvanised according to ASTMA 123 / EN ISO 1461.

Hand hole: 110 by 250mm maintenance opening,complete with cover and ground connector,is centered 420mm from the bottom of the anchor plate.

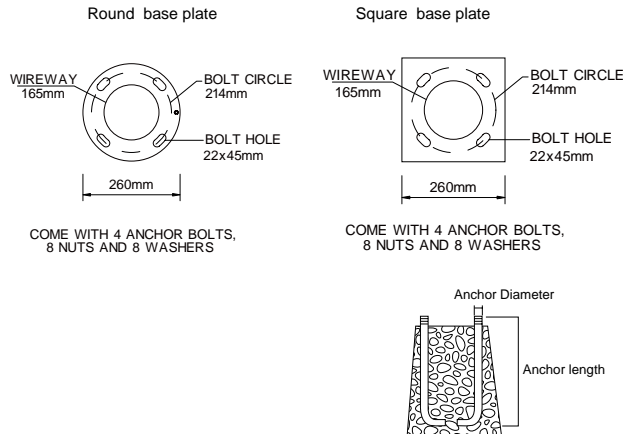
Pole top tenon: high-tensile carbon steel tube,round welded to shaft, standard sizes are 76mm O.D. x 90mm long,special size is available.

Base cover : is optional,round base cover is made of one pieces of fiber glass reinforced plastics, mechanically assembled together with stainless screws. Square base cover is made of hot dipped galvanised steel.

Finish: "Hot Dip" chemical etching preparation. Polyester powder coat textured finish. Standard colors is black (BK), dark grey(GY) (RAL7016),light grey(LG)(RAL7042),silver grey(SG), White(WH), other colors are available,Durable UV-resistant exterior finish as per # ASTM G7 and outstanding salt-spray resistance according to # ASTM D2247 testing procedures.

Options:

Service hand hole and base plate can be made to specific sizing
OEM and ODM is also acceptable



ORDERING INFORMATION

Order No.	Install Height meter	D1 Top Diameter (mm)	D2 End Diameter (mm)	Wall Thinkness (mm)	Base Square x THK(mm)	Anchor Circle Diameter (mm)	Anchor Dia& Length (mm)	Hand hole L x W (mm)	Net Weight (kg)	EPA Rating 80MPa Wall 1/ 2 (SQ.FT)
PT03-3.0	3	90	140	3	260x10	215	16x550	250x110	35	41
PT03-3.5	3.5	90	150	3	260x10	215	16x550	250x110	39	35
PT03-4.0	4	90	160	3	260x10	215	16x550	250x110	43	29

Weight without bolts, weight of each bolts is 5kg

Ordering number & sample

Pole Catalog Number - Color Code

PT03-3.5-BK
PT03-4.0-DB