

Ville SERIES



HA151



HA151



HA151-PS06-4.0

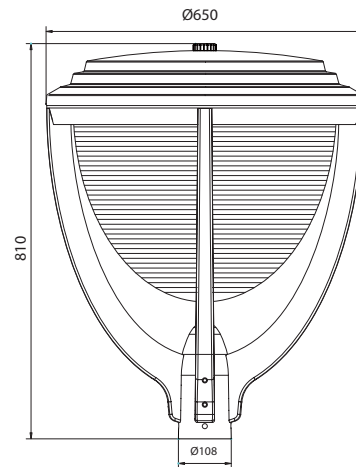
Feature

- Contemporary style area lighting
- Very High quality for upmarket
- Heavy-duty, die-cast FRP housing
- High efficiency acrylic refractor
- Tool-less removable power tray assembly for ease of maintenance
- Available with medium- or mogul-base socket
- Base casting slip fits over a standard 3" O.D. tenon

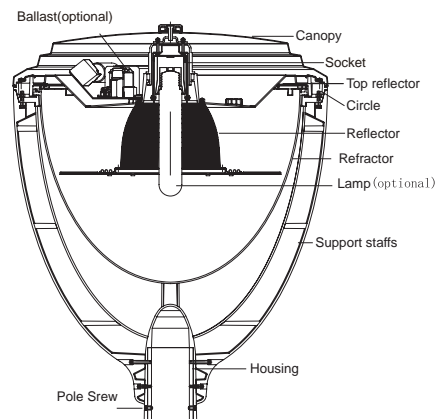


HA151

Dimensions



Mechanical



Specification

Application: Urban roads and street , Squares areas,
Pedestrian areas, Residential areas,Parks

Installing High: 3-5m

Mounting:Post-top,suitable for 76mmx100mm tenons

Lamps HID (HPS MH)/ LED bulb / CFL lamps, 30W-150W
70W//150W HPS high pressure sodium, cap: E27/E26/E40/E39
70W/150W MH metal halide, cap: E27/E26/E40/E39
30W/40w/50W Led bulb, cap: E27/E26/E40/E39
35W/45W/65W Compact fluorescent, cap: E27/E26
Input Voltage: 90-270VAC,50-60HZ

Material: FRP, fiber glass body
Canopy & Replector: Spun aluminium
Top reflector,Circle,Support staffs & Housing: Fiberglass-reinforced
plastics,excellent mechanical strength and bear the causticity
Refractor : High efficiency acrylic refractor,

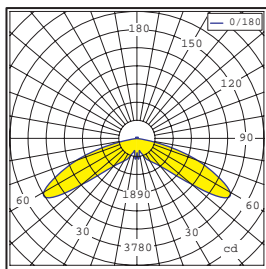
Color: Standard painting colors is black (BK) ,other colors dark
grey(GY)(RAL7016),light grey(LG)(RAL7042) are available

Standards:

Isolation degree Class I, IP Rating IP65

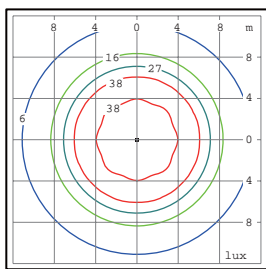
Photometrics

Photometric curve



Lamp:150W HPS 15000Lm

Isolux curve



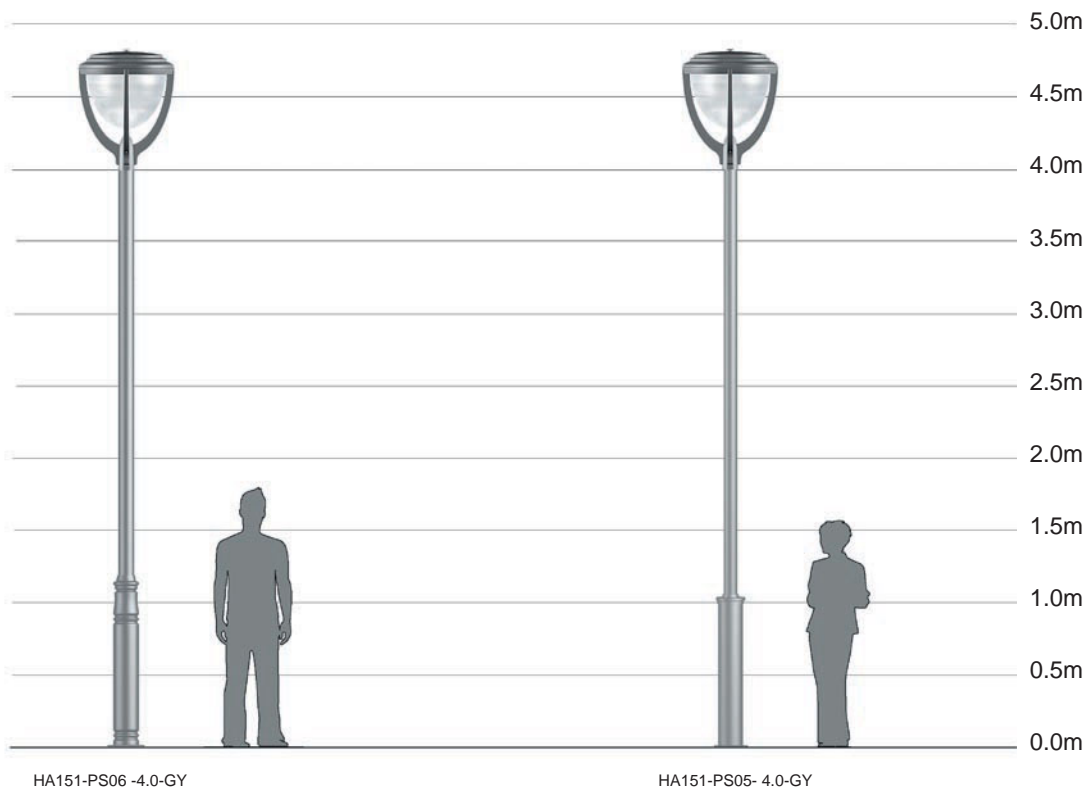
Mouthing Height:4m

TYPE V

Ordering Guide

Luminaire No. - Pole No.

Order No.	HEIGHT mm	Luminaire Ctn. cm	Total Vol m ³	G.W./N.W. kg/ctn	QUANTITIES 20'/40'
HA151	810	66x66x83/1pcs	0.36	18/15	72/162
HA151-PS05-4.0	4800	66x66x83/1pcs	0.52	55/52	50/110
HA151-PS06-4.0	4800	66x66x83/1pcs	0.52	58/55	50/110



HA151-PS06-4.0-GY

HA151-PS05-4.0-GY