

SPECIFICATIONS:

Application: Roads and highways, Urban roads and street, Squares areas, Pedestrian areas, Residential areas, Parks

Installing Hight: 3-12m

Material : high-tensile carbon steel Q235, Round tapered shaft, welded together with base flange, welding standard is according to AWS D 1.1 /BS EN 1011-1, BS EN 1011-2. the entire shaft assembly is hot dipped galvanised according to ASTMA 123 / EN ISO 1461

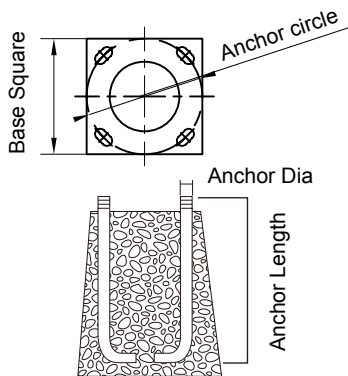
Finish: "Hot Dip" chemical etching preparation. Polyester powder coat textured finish. Standard colors is black (BK), dark grey(GY)(RAL7016), light grey(LG)(RAL7042), silver grey(SG), White(WH), other colors are available, Durable UV-resistant exterior finish as per # ASTM G7 and outstanding salt-spray resistance according to # ASTM D2247 testing procedures.

Production process: Rew material test → Cuttingj →Molding or bending →Welding (longitudinal) →Dimension verify →Flange welding →Hole drilling →Calibration → Deburr→Galvanization or powder coating ,painting →Recalibration →Thread →Packages

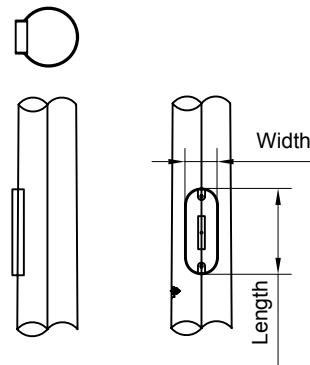
Options:

- 1.The street lighting pole is available in tapered round or tapered octagonal.
- 2.The street lighting pole is available in base flange mounted or direct bury installed.
- 3.The street lighting pole is available in frame welded hand hole or self cut cover hand hole.
- 4.The street lighting pole range is available in a single or double outreach arm arrangement.
- 5.Service hand hole and base plate can be made to specific sizing
- 6.OEM and ODM is also acceptable

Base size



Hand hole Detail



ORDERING INFORMATION

Weight without bolts

Order No.	Install Height meter	D1 Top Diameter (mm)	D2 Bottom Diameter (mm)	Wall Thickness (mm)	Base Square x THK(mm)	Anchor Circle Diameter (mm)	Anchor Dia& Length (mm)	Hand hole L x W (mm)	Net Weight Wall 1 /2 (kg)	EPA Rating 80MPA Wall 1/2 (SQ.FT)
PRT-S1-W1(2)-3	3	60	100	2.5 /3	260x10	260	16x550	250x80	20 /22	13 /16
PRT-S2-W1(2)-3	3	70	110	2.5 /3	260x10	260	16x550	250x80	21 /25	16 /20
PRT-S3-W1(2)-3	3	76	115	2.5 /3	260x10	260	16x550	250x80	22 /26	18 /22
PRT-S1-W1(2)-4	4	60	108	2.5 /3	260x10	260	16x550	250x80	25 /29	10 /13
PRT-S2-W1(2)-4	4	70	120	2.5 /3	260x10	260	16x550	250x80	28 /33	13 /16
PRT-S3-W1(2)-4	4	76	130	2.5 /3	260x10	260	16x550	250x80	30 /35	16 /20
PRT-S1-W1(2)-5	5	60	130	3 /3.5	280x14	280	18x550	250x90	43 /48	14 /18
PRT-S2-W1(2)-5	5	70	135	3 /3.5	280x14	280	18x550	250x90	45 /51	16 /19
PRT-S3-W1(2)-5	5	80	145	3 /3.5	280x14	280	18x550	250x90	49 /56	18 /22
PRT-S1-W1(2)-6	6	60	145	3 /3.5	300x16	300	18x650	250x100	55 /63	14 /17
PRT-S2-W1(2)-6	6	70	155	3 /3.5	300x16	300	18x650	250x100	60 /68	17 /20
PRT-S3-W1(2)-6	6	80	165	3 /3.5	300x16	300	18x650	250x100	64 /73	19 /23
PRT-S1-W1(2)-7	7	60	160	3 /3.5	300x16	300	18x700	250x100	67 /76	14 /17
PRT-S2-W1(2)-7	7	70	160	3 /3.5	300x16	300	18x700	250x100	69 /78	14 /17
PRT-S3-W1(2)-7	7	80	170	3 /3.5	300x16	300	18x700	250x100	74 /85	16 /19
PRT-S1-W1(2)-8	8	60	168	3 /3.5	320x16	320	20x850	250x100	80 /91	12 /15
PRT-S2-W1(2)-8	8	70	180	3 /3.5	320x16	320	20x850	250x100	87 /98	14 /18
PRT-S3-W1(2)-8	8	80	185	3 /3.5	320x16	320	20x850	250x100	91 /105	15 /19
PRT-S1-W1(2)-9	9	60	168	3.5 /4.0	350x18	350	20x950	250x100	103 /115	9 /12
PRT-S2-W1(2)-9	9	70	180	3.5 /4.0	350x18	350	20x950	250x100	112 /125	14 /17
PRT-S3-W1(2)-9	9	80	185	3.5 /4.0	350x18	350	20x950	250x100	117 /131	15 /18
PRT-S1-W1(2)-10	10	70	180	3.5 /4.0	350x20	350	22x1000	250x100	124 /139	10 /13
PRT-S2-W1(2)-10	10	80	185	3.5 /4.0	350x20	350	22x1000	250x100	131 /146	11 /14
PRT-S3-W1(2)-10	10	85	200	3.5 /4.0	350x20	350	22x1000	350x110	139 /156	14 /18
PRT-S1-W1(2)-11	11	70	180	4 /4.5	400x20	400	22x1200	250x100	156 /172	10 /13
PRT-S2-W1(2)-11	11	80	185	4 /4.5	400x20	400	22x1200	250x100	164 /181	11 /14
PRT-S3-W1(2)-11	11	85	200	4 /4.5	400x20	350	22x1200	350x110	175 /193	14 /17
PRT-S1-W1(2)-12	12	70	195	4 /4.5	400x20	400	22x1200	350x110	178 /196	10 /13
PRT-S2-W1(2)-12	12	80	205	4 /4.5	400x20	400	22x1200	350x110	189 /209	12 /15
PRT-S3-W1(2)-12	12	90	220	4 /4.5	400x20	400	22x1200	350x110	205 /225	15 /18

Ordering number & sample

Pole Catalog Number	-	Color Code
---------------------	---	------------

PRT-S1-W1-8-BK
PRT-S2-W2-9-DB