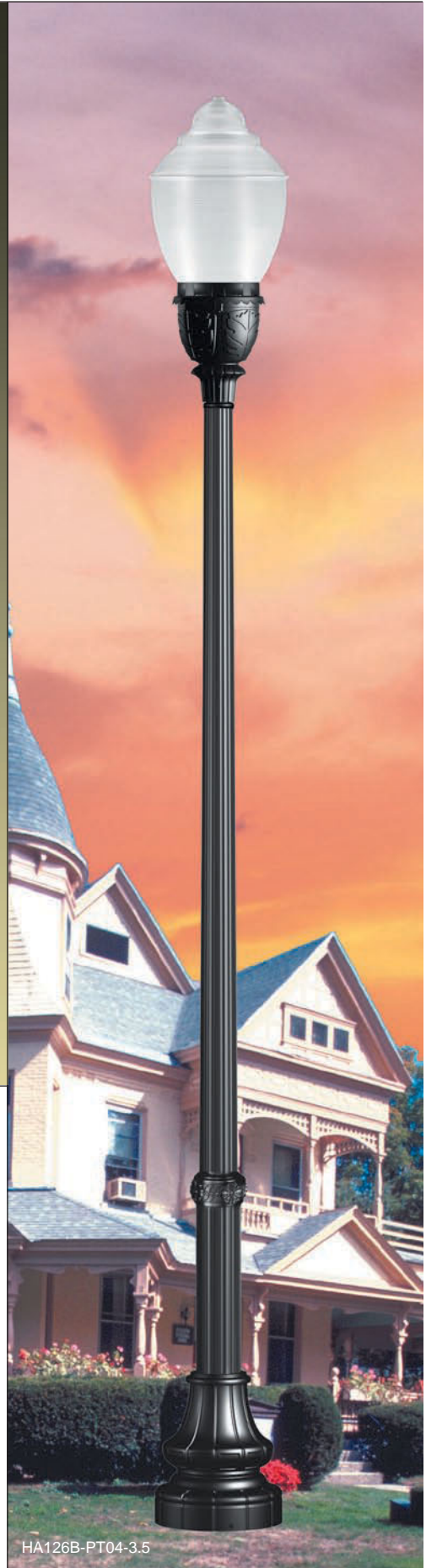


ACORN SERIES





HA126B



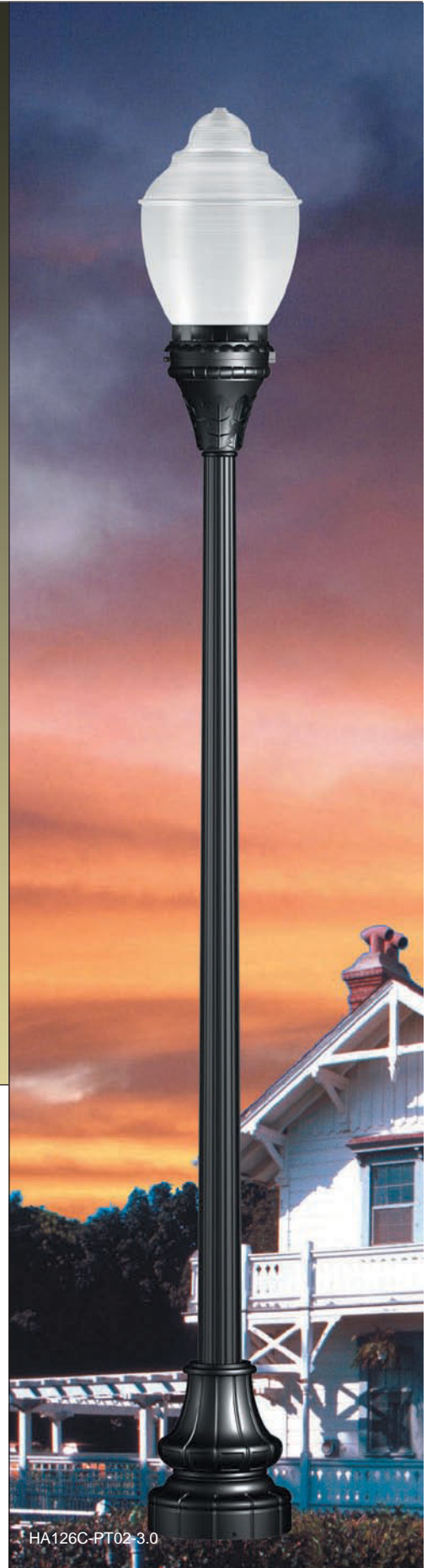
HA126B-PT04-3.5

### Feature

- Classical type of traditional area lighting
- Very High quality for upmarket
- Heavy-duty, die-cast FRP housing
- High efficiency acrylic refractor & PC diffuser
- Tool-less removable power tray assembly for ease of maintenance
- Available with medium- or mogul-base socket
- Base casting slip fits over a standard 3" O.D. tenon



HA126C



HA126C-PT02 3.0

### Feature

- Classical type of traditional area lighting
- Very High quality for upmarket
- Heavy-duty, die-cast FRP housing
- High efficiency acrylic refractor & PC diffuser
- Tool-less removable power tray assembly for ease of maintenance
- Available with medium- or mogul-base socket
- Base casting slip fits over a standard 3" O.D. tenon



HA126A

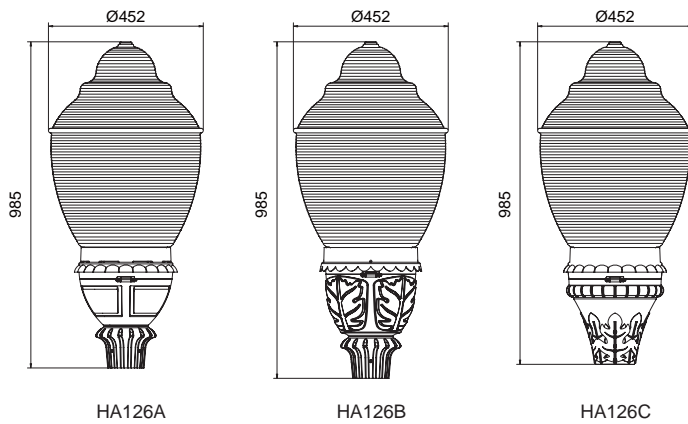


HA126B



HA126C

Dimensions

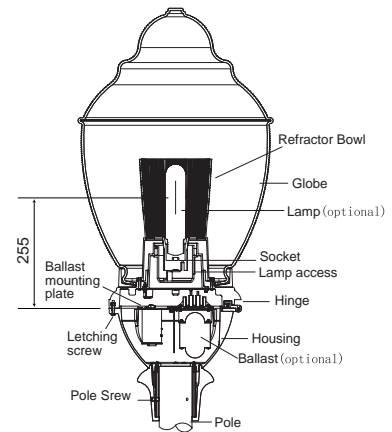


HA126A

HA126B

HA126C

Mechanical



Specification

**Application:** Urban roads and street , Squares areas, Pedestrian areas, Residential areas,Parks,Garden

**Installing High:** 3-5m

**Mounting :** Post-top: suitable for Ø76mmx90mm tenon

**Lamps:** HID (HPS MH)/ LED bulb / CFL lamps, 30W-150W

70W/150W HPS high pressure sodium, cap: E27/E26/E40/E39

70W/150W MH metal halide, cap: E27/E26/E40/E39

35w/45W/65W Compact fluorescent, cap: E27/E26

30W/40w/50W Led bulb, cap: E27/E26/E40/E39

**Material:** FRP, fiber glass body

Housing: Fiberglass-reinforced

plastics,excellent mechanical strength and bear the causticity

Globe : High efficiency ploycarbonate ,stippled

Refractor bowl : High efficiency acrylic refractor

**Color:** Standard colors is black (BK) ,other colors dark

bronze (DB)(RAL7013), dark grey (GY)(RAL7016), light

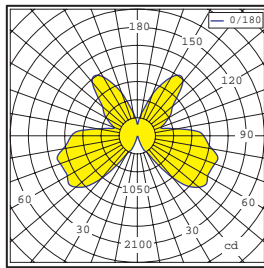
grey(LG)(RAL7042), dark green (DN)(RAL6005) are available

**Standards:**

Isolation degree Class I, IP Rating(optical) IP65

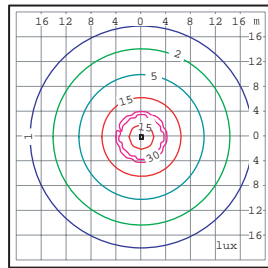
Photometrics

Photometric curve



Lamp:150W HPS 15000Lm

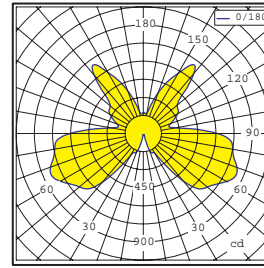
Isolux curve



Mounting Height:4m

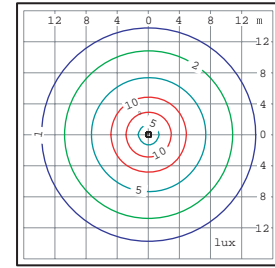
TYPE V

Photometric curve



Lamp:70W HPS 6000Lm

Isolux curve



Mounting Height:4m

TYPE V

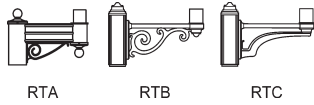
Ordering Guide

Luminaire No. - (Mounting & configuration) - Pole No.

Order No.	HEIGHT mm	Luminaire Ctn. cm	Total Vol m <sup>3</sup>	G.W./N.W. kg/ctn	QUANTITIES 20'/40'
HA126A	985	46x46x100/1pcs	0.21	11/9	130/260
HA126A-PT01-2.8	3800	46x46x100/1pcs	0.37	41/39	74/150
HA126A-PT02-3.0	4000	46x46x100/1pcs	0.37	46/44	74/150
HA126A-PT03-3.3	4300	46x46x100/1pcs	0.35	41/39	78/158
HA126A-PT03X-3.6	4600	46x46x100/1pcs	0.36	45/43	76/154
HA126A-PT04-3.5	4500	46x46x100/1pcs	0.39	53/51	70/142
HA126A-PT04-4.0	5000	46x46x100/1pcs	0.41	59/57	67/136
HA126A-PS06-3.0	4000	46x46x100/1pcs	0.33	41/39	83/168
HA126A-PS06-3.5	4500	46x46x100/1pcs	0.35	44/42	78/158
HA126A-PS06-4.0	5000	46x46x100/1pcs	0.37	51/49	74/150
HA126A-RTA2-PS06-4.0	5200	46x46x100/1pcs	0.60	74/70	45/92
HA126B	985	46x46x100/1pcs	0.21	12/10	130/260
HA126B-PT01-2.8	3800	46x46x100/1pcs	0.37	42/40	74/150
HA126B-PT02-3.0	4000	46x46x100/1pcs	0.37	47/45	74/150
HA126B-PT03-3.3	4300	46x46x100/1pcs	0.35	42/40	78/158
HA126B-PT03X-3.6	4600	46x46x100/1pcs	0.36	46/44	76/154
HA126B-PT04-3.5	4500	46x46x100/1pcs	0.39	54/52	70/142
HA126B-PT04-4.0	5000	46x46x100/1pcs	0.41	60/58	67/146
HA126B-PS06-3.0	4000	46x46x100/1pcs	0.33	42/40	83/168
HA126B-PS06-3.5	4500	46x46x100/1pcs	0.35	45/43	78/158
HA126B-PS06-4.0	5000	46x46x100/1pcs	0.37	52/50	74/150
HA126B-RTA2-PS06-4.0	5200	46x46x100/1pcs	0.60	76/72	45/92
HA126C	985	46x46x100/1pcs	0.21	12/10	130/260
HA126C-PT01-2.8	3800	46x46x100/1pcs	0.37	42/40	74/150
HA126C-PT02-3.0	4000	46x46x100/1pcs	0.37	47/45	74/150
HA126C-PT03-3.3	4300	46x46x100/1pcs	0.35	42/40	78/158
HA126C-PT03X-3.6	4600	46x46x100/1pcs	0.36	46/44	76/154
HA126C-PT04-3.5	4500	46x46x100/1pcs	0.39	54/52	70/142
HA126C-PT04-4.0	5000	46x46x100/1pcs	0.41	60/58	67/136
HA126C-PS06-3.0	4000	46x46x100/1pcs	0.33	42/40	83/168
HA126C-PS06-3.5	4500	46x46x100/1pcs	0.35	45/43	78/158
HA126C-PS06-4.0	5000	46x46x100/1pcs	0.37	52/50	74/150
HA126C-RTA2-PS06-4.0	5200	46x46x100/1pcs	0.60	76/72	45/92

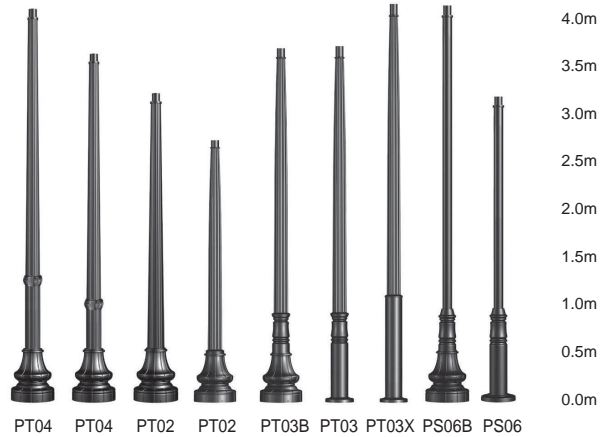
Mountings

(Consult the Pole Guide for detail and the complete line for poles)

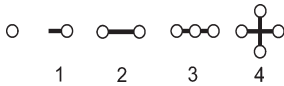


Poles and pole options

(Consult the Pole Guide for detail and the complete line for poles)



Configuration



Ordering information

Sample Number: HA126A-15S1R16-PS01-2.8-BK

LAMP SOCKET E27/E26 Suit for 50W/70W/100W HPS or MH, E26 only for UL list

LAMP SOCKET E40/E39 Suit for 150W/175W HPS or MH, E39 only for UL list

Liminaire	(Lamp Wattage)	Lamp Type	Lamp & Ballast	Ballast Type	Voltage	Freq. <sup>1</sup>	(Mounting & Configuration) <sup>1</sup>	(Pole) <sup>1</sup>	Finish
HA126A	70=70W	M=MH	1=only	I=Impedance	2=120V	5=50Hz			BK=Black
HA126B	10=100W		Ballast	M=Leakage	0=208V	6=60Hz			DB=Dark
HA126C	15=150W	S=HPS	include	magnetic	2=220V				Bronze
	17=175W		2=all	P=HX-HPF <sup>3</sup>	3=230V				GY=Grey
			include	W=CWA	4=240V				DN=Dark
					7=277V				Green
					8=480V				
					9=347V				

