

CROWN SERIES





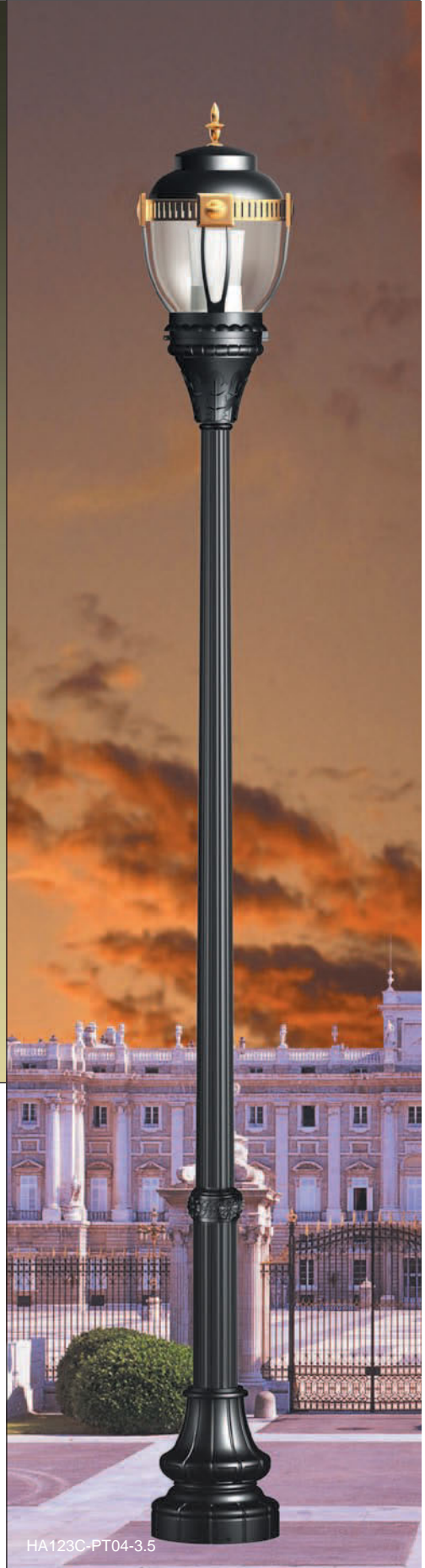
HA123B



HA123B-PT02-3.0

Feature

- Classical type of traditional area lighting
- Very High quality for upmarket
- Heavy-duty, die-cast FRP housing
- High efficiency acrylic refractor
- Tool-less removable power tray assembly for ease of maintenance
- Available with medium- or mogul-base socket
- Base casting slip fits over a standard 3" O.D. tenon



Feature

- Classical type of traditional area lighting
- Very High quality for upmarket
- Heavy-duty, die-cast FRP housing
- High efficiency acrylic refractor
- Tool-less removable power tray assembly for ease of maintenance
- Available with medium- or mogul-base socket
- Base casting slip fits over a standard 3" O.D. tenon



HA123A

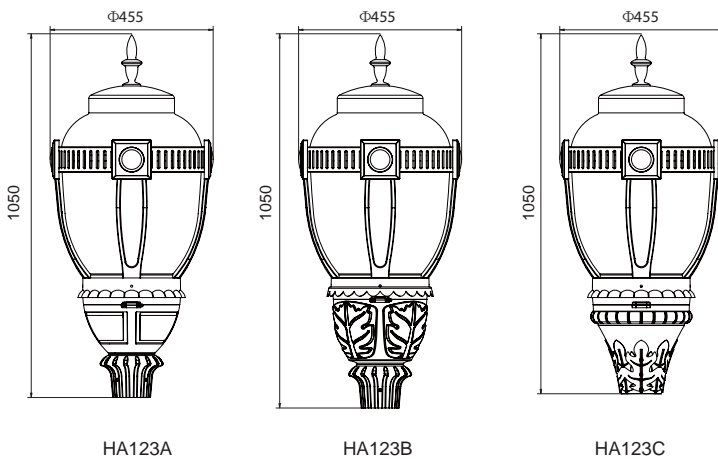


HA123B



HA123C

Dimensions

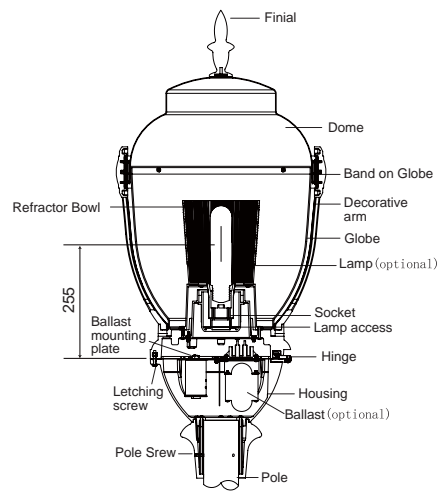


HA123A

HA123B

HA123C

Mechanical

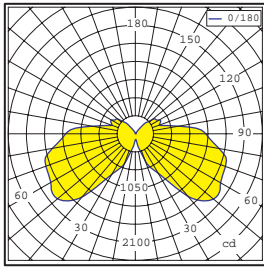


Specification

Application: Urban roads and street , Squares areas, Pedestrian areas, Residential areas,Parks,Garden
Installing Hight: 3-5m
Mounting : Post-top: suitable for Ø76mmx90mm tenon
Lamps: HID (HPS MH)/ LED bulb / CFL lamps, 30W-150W
 70W/150W HPS high pressure sodium, cap: E27/E26/E40/E39
 70W/150W MH metal halide, cap: E27/E26/E40/E39
 35w/45W/65W Compact fluorescent, cap: E27/E26
 30W/40w/50W Led bulb, cap: E27/E26/E40/E39
Material: FRP, fiber glass body
 Final: Cast aluminium
 Dome: Spun aluminium
 Decorative arm , Band & Housing: Fiberglass-reinforced plastics,excellent mechanical strength and bear the causticity
 Globe : High efficiency acrylic refractor
Color: Standard colors is black (BK) ,other colors dark bronze (DB)(RAL7013), dark grey (GY)(RAL7016), light grey(LG)(RAL7042), dark green (DN)(RAL6005) are available
Standards:
 Isolation degree Class I, IP Rating(optical) IP65

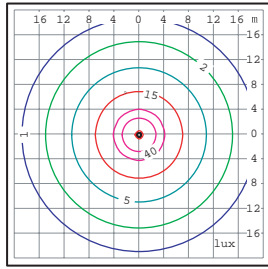
Photometrics

Photometric curve



Lamp:150W HPS 15000Lm

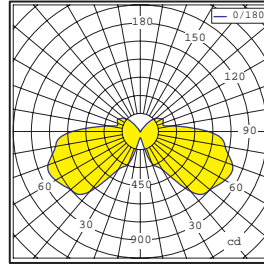
Isolux curve



Mounting Height:4m

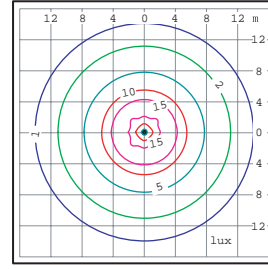
TYPE V

Photometric curve



Lamp:70W HPS 6000Lm

Isolux curve



Mounting Height:4m

TYPE V

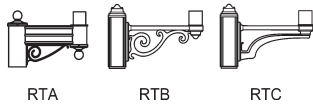
Ordering Guide

Luminaire No. - (Mounting & configuration) - Pole No.

Order No.	HEIGHT mm	Luminaire Ctn. cm	Total Vol m ³	G.W./N.W. kg/ctn	QUANTITIES 20'/40'
HA123A	1050	45x45x95/1 pcs	0.20	17/13	130/260
HA123A-PT01-2.8	3900	45x45x95/1 pcs	0.36	47/43	74/150
HA123A-PT02-3.0	4100	45x45x95/1 pcs	0.36	52/48	74/150
HA123A-PT03-3.3	4400	45x45x95/1 pcs	0.34	47/43	78/158
HA123A-PT03X-3.6	4700	45x45x95/1 pcs	0.35	51/47	76/154
HA123A-PT04-3.5	4600	45x45x95/1 pcs	0.38	59/55	70/142
HA123A-PT04-4.0	5100	45x45x95/1 pcs	0.40	65/61	67/136
HA123A-PS06-3.0	4100	45x45x95/1 pcs	0.32	47/43	83/168
HA123A-PS06-3.5	4600	45x45x95/1 pcs	0.34	50/46	78/158
HA123A-PS06-4.0	5100	45x45x95/1 pcs	0.36	57/53	74/150
HA123A-RTA2-PS06-4.0	5300	45x45x95/1 pcs	0.59	86/78	45/92
HA123B	1050	45x45x95/1 pcs	0.20	18/14	130/260
HA123B-PT01-2.8	3900	45x45x95/1 pcs	0.36	48/44	74/150
HA123B-PT02-3.0	4100	45x45x95/1 pcs	0.36	53/49	74/150
HA123B-PT03-3.3	4400	45x45x95/1 pcs	0.34	48/44	78/158
HA123B-PT03X-3.6	4700	45x45x95/1 pcs	0.35	52/48	76/154
HA123B-PT04-3.5	4600	45x45x95/1 pcs	0.38	60/56	70/142
HA123B-PT04-4.0	5100	45x45x95/1 pcs	0.40	66/62	67/136
HA123B-PS06-3.0	4100	45x45x95/1 pcs	0.32	48/44	83/168
HA123B-PS06-3.5	4600	45x45x95/1 pcs	0.34	51/47	78/158
HA123B-PS06-4.0	5100	45x45x95/1 pcs	0.36	58/54	74/150
HA123B-RTA2-PS06-4.0	5300	45x45x95/1 pcs	0.59	88/80	45/92
HA123C	1050	45x45x95/1 pcs	0.20	18/14	130/260
HA123C-PT01-2.8	3900	45x45x95/1 pcs	0.36	48/44	74/150
HA123C-PT02-3.0	4100	45x45x95/1 pcs	0.36	53/49	74/150
HA123C-PT03-3.3	4400	45x45x95/1 pcs	0.34	48/44	78/158
HA123C-PT03X-3.6	4700	45x45x95/1 pcs	0.35	52/48	76/154
HA123C-PT04-3.5	4600	45x45x95/1 pcs	0.38	60/56	70/142
HA123C-PT04-4.0	5100	45x45x95/1 pcs	0.40	66/62	67/136
HA123C-PS06-3.0	4100	45x45x95/1 pcs	0.32	48/44	83/168
HA123C-PS06-3.5	4600	45x45x95/1 pcs	0.34	51/47	78/158
HA123C-PS06-4.0	5100	45x45x95/1 pcs	0.36	58/54	74/150
HA123C-RTA2-PS06-4.0	5300	45x45x95/1 pcs	0.59	88/80	45/92

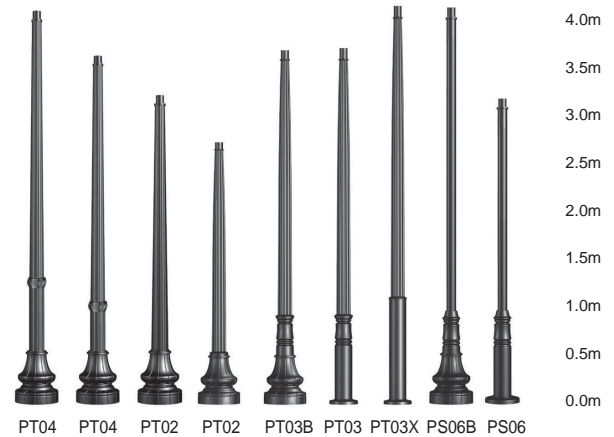
Mountings

(Consult the Pole Guide for detail and the complete line for poles)

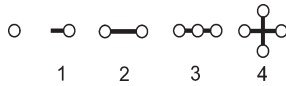


Poles and pole options

(Consult the Pole Guide for detail and the complete line for poles)



Configuration

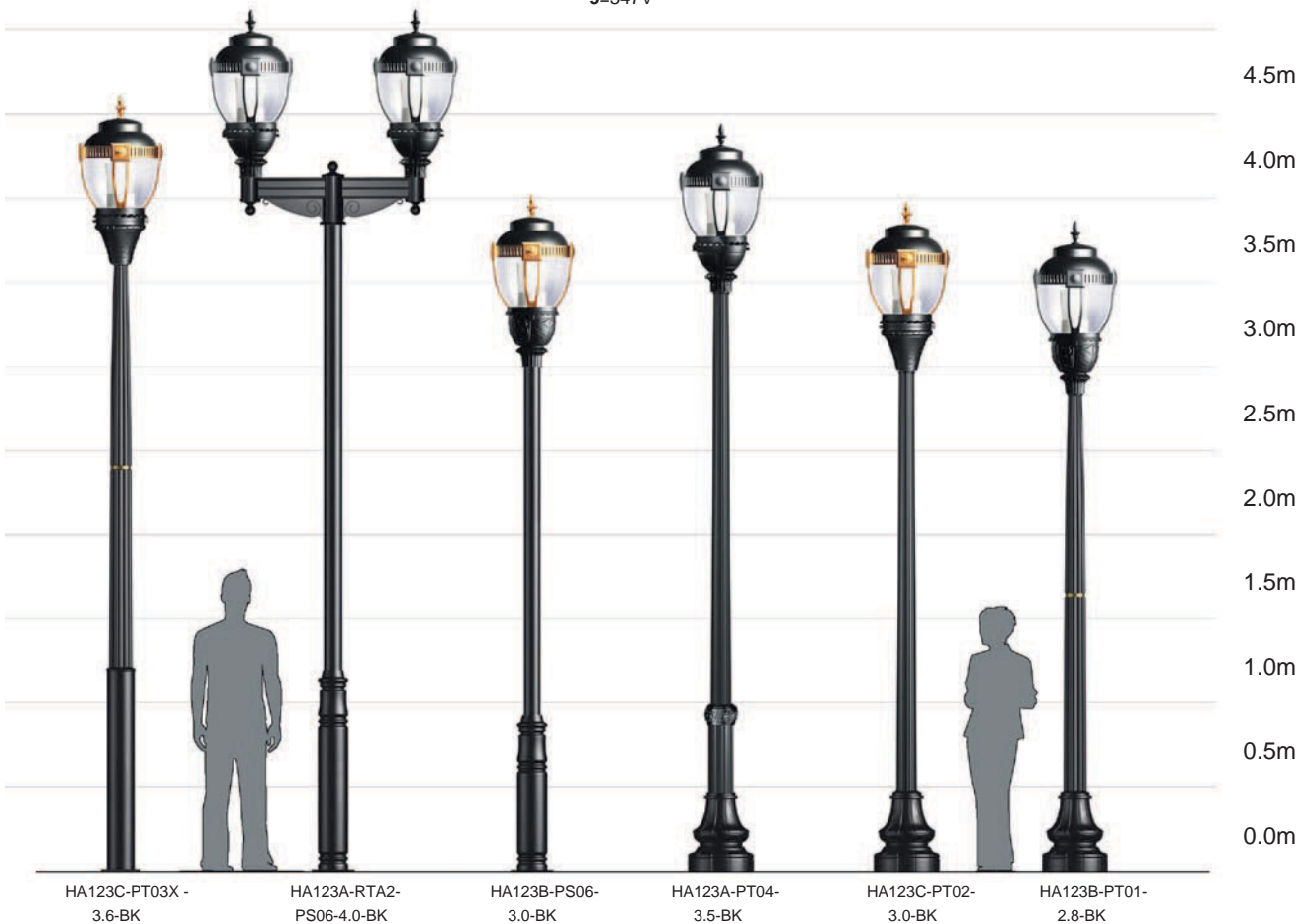


Ordering information

Sample Number: HA123A-15S1R16-RTA2-PS01-2.8-BK

LAMP SOCKET E27/E26 Suit for 50W/70W/100W HPS or MH, E26 only for UL list
 LAMP SOCKET E40/E39 Suit for 150W/175W HPS or MH,E39 only for UL list

Liminaire	(Lamp Wattage)	Lamp Type	Lamp & Ballast	Ballast Type	Voltage	Freq. ¹	(Mounting & Configuration) ¹	(Pole) ¹	Finish
HA123A	70=70W	M=MH	1=only	I=Impedance	2=120V	5=50Hz			BK=Black
HA123B	10=100W		Ballast	M=Leakage	0=208V	6=60Hz			DB=Dark
HA123C	15=150W	S=HPS	include	magnetic	2=220V				Bronze
	17=175W		2=all	P=HX-HPF ³	3=230V				GY=Grey
			include	W=CWA	4=240V				DN=Dark
					7=277V				Green
					8=480V				
					9=347V				



HA123C-PT03X - 3.6-BK HA123A-RTA2-PS06-4.0-BK HA123B-PS06- 3.0-BK HA123A-PT04- 3.5-BK HA123C-PT02- 3.0-BK HA123B-PT01- 2.8-BK